



**BLUE OX**  
Towing Doesn't Have to be a Drag™



## **Products Guide**



# Contents

- 08 Fifth Wheel**
- 14 SwayPro**
- 16 TrackPro**
- 22 2-Point**
- 24 Adjustable Ball Mounts**
- 26 Hitch Accessories**
- 30 Premium Tow Bars**
- 32 Standard Tow Bars**
- 33 Baseplates**
- 34 Brakes**
- 36 Accessories**
- 38 Wiring Kits**

# Company History

1925

Company founded on the family farm as the Automatic Dipping and Currying Company manufacturing currying equipment for livestock.

Began manufacturing grain roller mills for livestock.  
Incorporated as the Automatic Manufacturing Co.

1940

1983

Farm economy declines, introduces the **KarTote** trailer designed to tow vehicles behind motorhomes.

Purchased **Blue Ox** and **Duncan Towing**.  
Introduced motorhome receiver mount tow bars and removable tab baseplates in 1994.

1991

2004

Moved engineering department to Lincoln, Nebraska.  
Added Logistics Department to Lincoln facility in 2013.

Purchased **Mad-Ramps** pivoting ATV ramp system.

2019

2023

Began plant expansion in Pender. Adding new automated systems and state of the art paint facility to increase manufacturing efficiencies.  
**Founded Automotive Division.**

# Hitches



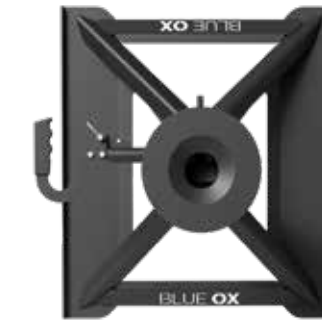


## 5th Wheel Hitches



### BXR2100

21K GTC  
5K VLL



Connects to 2-5/16" gooseneck ball.

Funnel shaped hitch head helps guide the kingpin into place, significantly reducing the risk of false hookups & trailer drops.

Dual articulating head: front/back, side-to-side

True 360° nesting of the kingpin.

Lightweight, 2-piece design: 122 lbs total .

Adjustable height: 17", 18", and 19".

Tested to SAE J2638.



### BXR2410

24K GTC  
6K VLL



Connects to standard bed rails.

Funnel shaped hitch head helps guide the kingpin into place, significantly reducing the risk of false hookups & trailer drops.

Dual articulating head: front/back, side-to-side

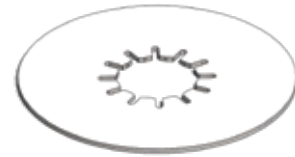
True 360° nesting of the kingpin.

Lightweight, 2-piece design: 100 lbs total .

Adjustable height: 17", 18", and 19".

Tested to SAE J2638.

# 5th Wheel Accessories



**BX#** BXR9004  
**Description** Lube Plate



**BX#** BX88360  
**Description** King Pin Lock



**BX#** BXR9005  
**Description** Rotaflex Lockout Kit



**BX#** BXR9009  
**Description** OEM Ball Adap.



**BX#** BX88356  
**Description** Wiring Harness

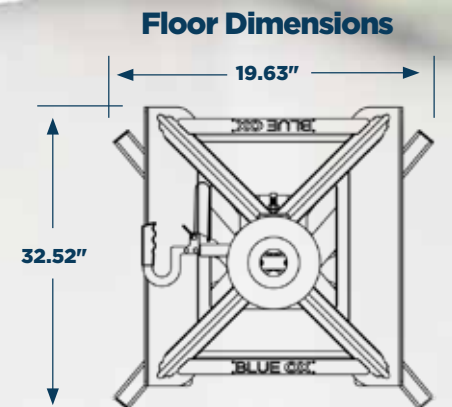
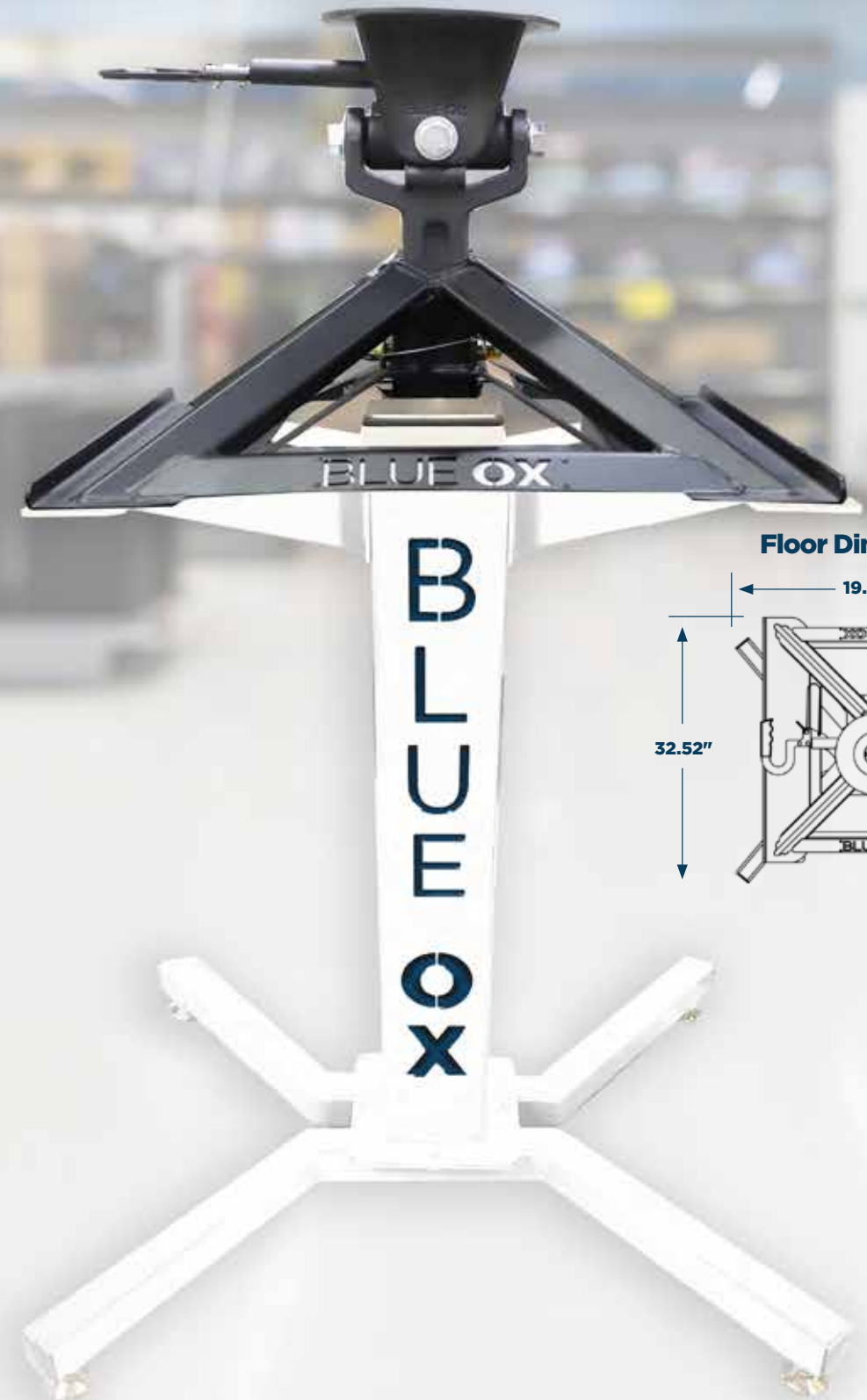


**BX#** BXR9006  
**Description** Anti-Slip Mat



**BX#** BXR9003  
**Description** Wall Mount

# 5th Wheel DS-5th Wheel Tower Display



# How Does Blue Ox Sway Prevention Work?

Blue Ox Weight Distributing hitch heads are designed with integrated positive caster working in tandem with loaded spring bars.

Just like the steering wheel in your car or truck returns to center after you turn a corner, our hitch head keeps the trailer centered.

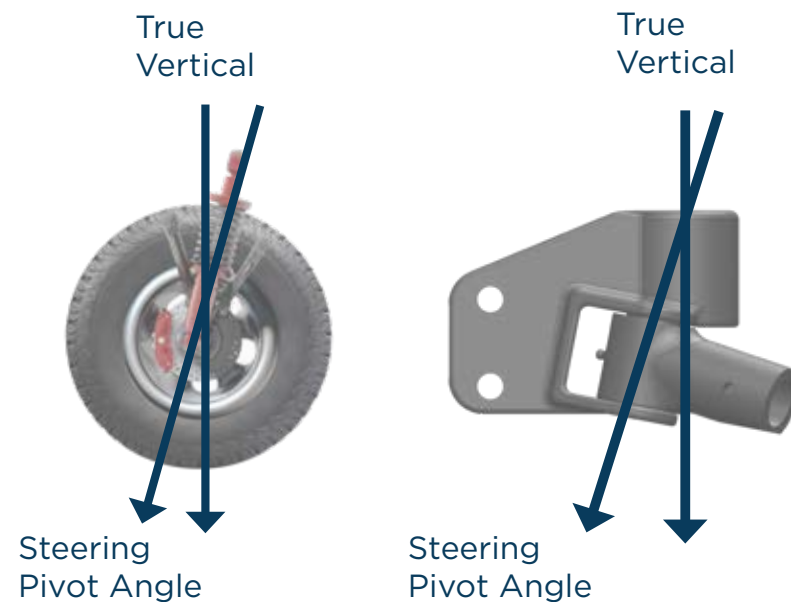


## Built-in to SwayPro™ & TrackPro™ Weight Distributing Hitches

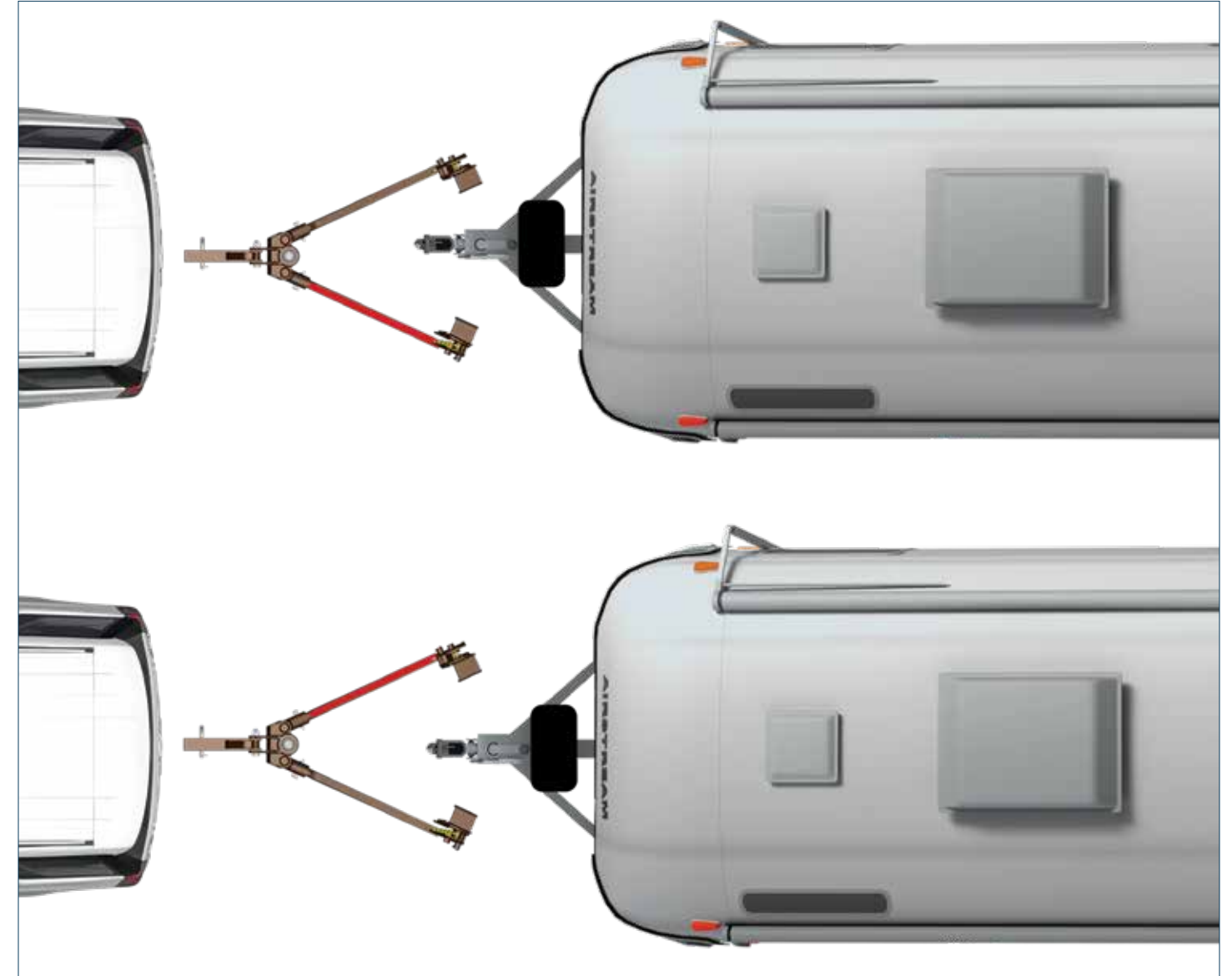
**Positive Caster:** Caster is the measure of how far forward or behind the steering axis is to the vertical axis, viewed from the side. This is measured by drawing a line between the top and bottom pivot points of the front upright. The angle between the drawn line and vertical is the caster angle.

If the line slopes towards the rear of the vehicle, then you have positive caster. Positive caster increases the lean of the tire when the vehicle is cornering, while returning it to an upright position when driving straight ahead.

SwayPro and TrackPro hitch heads employ positive caster, constantly pushing the trailer to the center of the tow vehicle.



Forces like wind, uneven pavement, or curves in the road pushing the right side of the trailer to sway to the left, shifts the heavier load to the left spring bar.



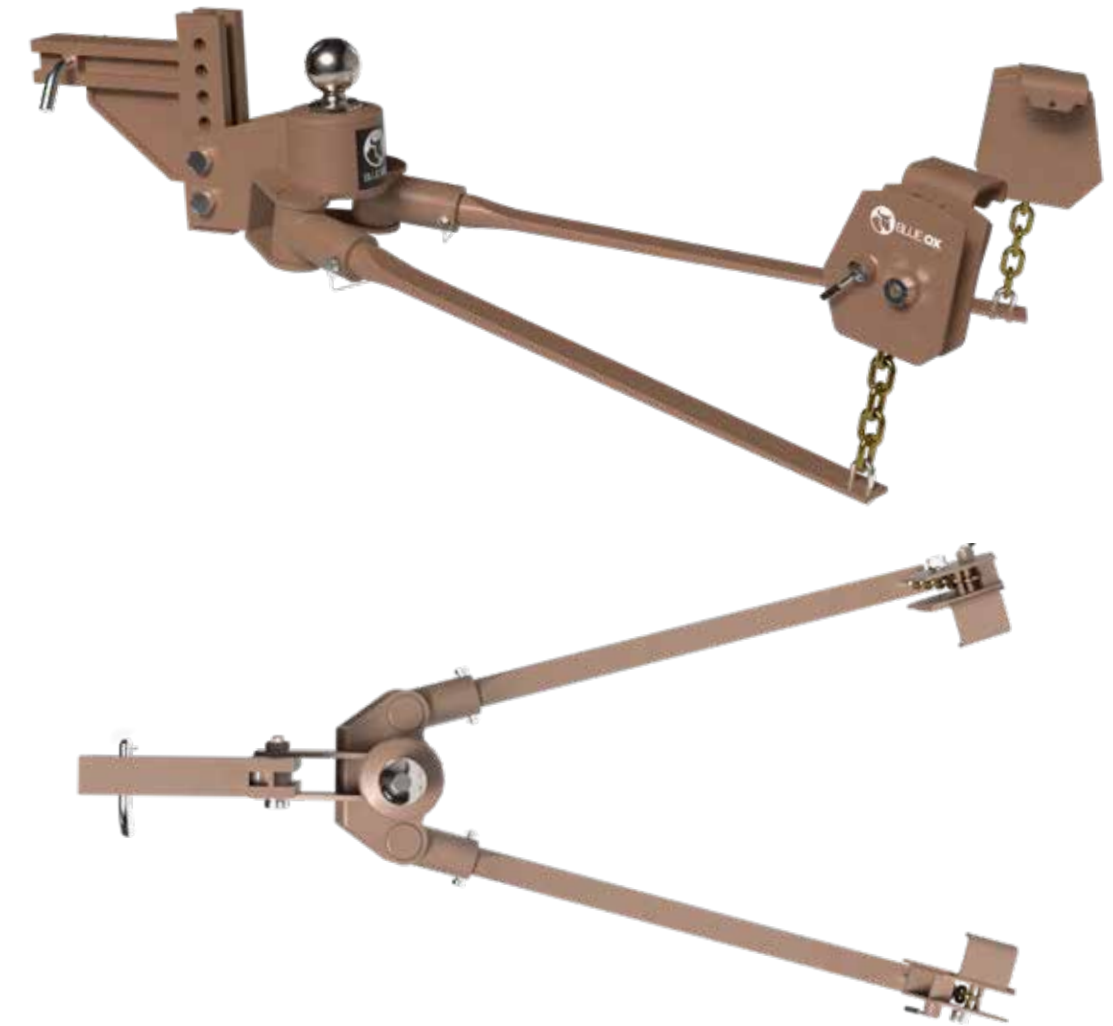
Similarly, forces pushing on the left side causing it to sway right, shifts the heavier load to the right spring bar.

The spring bars pivot on the hitch head balancing the load and pushing the trailer to the center of the tow vehicle.





# SwayPro™ WD Hitch



## Standard Hitch Head

20K GTC  
2" Receiver  
2-1/2" Shank Available

Caster in the hitch head constantly centers the trailer. Spring bars augment the suspensions of the tow vehicle & trailer.

Rotating latches with clamp-on brackets for quick and easy setup.

Noise-free sway prevention never stops working, even in rain or snow.

Standard Tongue Weights Available: 350, 550, 750, 1000, 1500, 2000 (2.5" Shank).

BX#	Features
BXW0350	0-350 lbs. Tongue Weight, 2" Ball, Clamp-on Latches
BXW0550	351-550 lbs. Tongue Weight, 2-5/16" Ball, Clamp-on Latches
BXW0750	551-750 lbs. Tongue Weight, 2-5/16" Ball, Clamp-on Latches
BXW1000	751-1000 lbs. Tongue Weight, 2-5/16" Ball, Clamp-on Latches
BXW1500	1001-1500 lbs., Tongue Weight, 2-5/16" Ball, Clamp-on Latches

7-Hole Shank Kits

9-Hole Shank Kits & 11-Hole Shank Kits Available





## Underslung Hitch Head

20K GTC  
2" Receiver  
2-1/2" Shank Available

Caster in the hitch head constantly centers the trailer. Spring bars augment the suspensions of the tow vehicle & trailer.

Rotating latches with clamp-on brackets for quick and easy setup.

Noise-free sway prevention never stops working, even in rain or snow.

Standard Tongue Weights Available: 350, 550, 750, 1000, 1500.

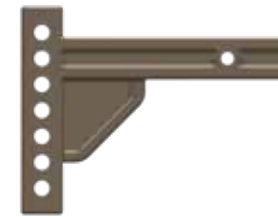
## Underslung Kits

BX#	Features
BXW0353	0-350lbs. Tongue Weight, 2-5/16" Ball, Clamp On Latches
BXW0553	351-550lbs. Tongue Weight, 2-5/16" Ball, Clamp On Latches
BXW0753	551-750lbs. Tongue Weight, 2-5/16" Ball, Clamp On Latches
BXW1003	751-1000lbs. Tongue Weight, 2-5/16" Ball, Clamp On Latches
BXW1503	1001-1500lbs. Tongue Weight, 2-5/16" Ball, Clamp On Latches
BXW2003	1501-2000lbs. Tongue Weight, 2-5/16" Ball, Clamp On Latches

## Underslung Hitch Head



BX#	Description
BXW4076	SwayPro Underslung Hitch Head



## SwayPro Hitch Shanks

BX#	Description
BXW4000	7 Hole, Max TRW 20,000 lbs
BXW4002	9 Hole, Max TRW 15,000 lbs
BXW4022	11 Hole, Max TRW 15,000 lbs.
BXW4028	9 Hole, 2-1/2" Rec. Max TRW 20,000 lbs.



## SwayPro Spring Bars & Wrench

BX#	Description
BXW4015	0-350 lb Spring Bars
BXW4005	351-550 lb Spring Bars
BXW4006	551-750 lb Spring Bars
BXW4007	751-1000 lb Spring Bars
BXW4008	1001-1500 lb Spring Bars
BXW4014	1501-2000 lb Spring Bars
BXW4029	SwayPro Wrench



## SwayPro Latches

BX#	Description
BXW4010	Rotating, Clamp-On Latches
BXW4021	Rotating, Bolt-on Latches
BXW4027	Rotating Latches 8" Frame



## Hitch Head Pin Kit

BX#	Description
BXW4047	SwayPro/TrackPro Hitch Head Pin Kit



# TrackPro™ WD Hitch



## Standard Hitch Head

13K GTC  
2" Receiver

Caster in the hitch head constantly centers the trailer.  
Spring bars augment the suspensions of the tow vehicle & trailer.

Rigid L-Brackets provide additional points of sway controlling friction.

Standard Tongue Weights Available:  
**600 (2" Ball)** 800, 1000, 1300 (2-5/16" Ball).

7-Hole Shank Kits

BX#	Features
BXW0650	400-600 lbs. Tongue Weight, 2" Ball, Standard L-Brackets
BXW0850	601-800 lbs. Tongue Weight 2-5/16" Ball, Standard L-Brackets
BXW1050	801-1000 lbs. Tongue Weight, 2-5/16" Ball, Standard L-Brackets
BXW1350	1001-1300 lbs. Tongue Weight, 2-5/16" Ball, Standard L-Brackets

9-Hole Shank Kits Available



## Underslung Hitch Head

13K GTC  
2" Receiver

Caster in the hitch head constantly centers the trailer.  
Spring bars augment the suspensions of the tow vehicle & trailer.

Rigid L-Brackets provide additional points of sway controlling friction.

Standard Tongue Weights Available:  
**600 (2" Ball)** 800, 1000, 1300 (2-5/16" Ball).

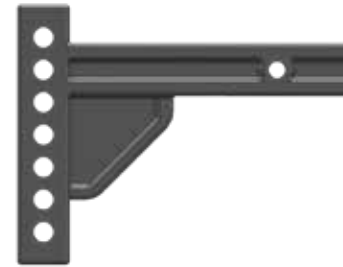
## Underslung Kits

BX#	Features
BXW0653	400-600 lbs. Tongue Weight, 2" Ball, 4-Hole Mounting Plate
BXW0853	601-800lbs. Tongue Weight, 2" Ball, 4-Hole Mounting Plate
BXW1053	801-1000lbs. Tongue Weight, 2" Ball, 4-Hole Mounting Plate
BXW1353	1001-300lbs. Tongue Weight, 2" Ball, 4-Hole Mounting Plate



## Underslung Hitch Head

BX#	Description
BXW4077	TrackPro Underslung Hitch Head



## TrackPro Hitch Shanks

BX#	Description
BXW4036	7 Hole, Max TRW 20,000 lbs
BXW4037	9 Hole, Max TRW 15,000 lbs.
BXW4038	11 Hole, Max TRW 15,000 lbs
BXW4039	Hole, 2-1/2" Rec., Max TRW 20,000 lbs.



## TrackPro Spring Bars & Wrench

BX#	Description
BXW4050	600-800 lb Spring Bars
BXW4040	801-1000 lb Spring Bars
BXW4041	1000 lb Spring Bars
BXW4042	1300 lb Spring Bars
BXW4043	Spring Bar Tool
BXW4079	3-Pack Spring Bar Tool



## TrackPro Kits

BX#	Description
BXW4078	1/2" Retaining Key
BXW4062	Spring Lock Assembly Kit, 2-Point
BXW4072	L Brackets
BXW4073	L Brackets w/Mounts, Single
BXW4074	L Brackets w/Mounts, Pair



## Hitch Head Pin Kit

BX#	Description
BXW4047	SwayPro/TrackPro Hitch Head Pin Kit

# 2-Point Accessories



## 2-Point WD Hitch

12K GTC  
2" Receiver

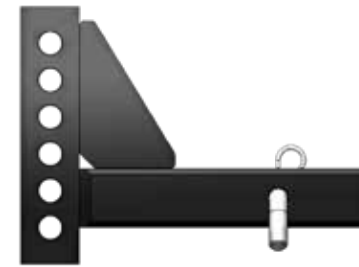
Round spring bars flex for a controlled ride.  
Steel-on-steel friction minimizes sway.  
L-Brackets keep spring bars in place.  
Standard Tongue Weights Available: **600 (2" Ball)**,  
800 & 1200 (2-5/16" Ball).

### 6-Hole Shank Kits

BX#	Features
BXW0675	400-600 lbs. Tongue Weight, 2" Ball, 2 Hole Mounting Plate
BXW0875	600-800 lbs. Tongue Weight, 2 5/16" Ball, 2 Hole Mounting Plate
BXW1275	800-1200 lbs Tongue Weight, 2 5/16" Ball, 2 Hole Mounting Plate

### 2-Point Universal Fit Kits

BX#	Features
BXW0673	400-600 lbs. Tongue Weight, 2" Ball, 4 Hole Mounting Plate
BXW0873	600-800 lbs. Tongue Weight, 2 5/16"Ball, 4 Hole Mounting Plate
BXW1273	800-1200 lbs. Tongue Weight, 2 5/16" Ball, 4 Hole Mounting Plate



### 2-Point Hitch Shanks

BX#	Description
BXW4066	6 Hole, Max TRW 20,000 lbs



### 2-Point/TrackPro Wrench

BX#	Description
BXW4043	Spring Bar Tool
BXW4079	3-Pack Spring Bar Tool



### 2-Point/TrackPro Bracket Kits

BX#	Description
BXW4078	1/2" Retaining Key
BXW4072	L Brackets
BXW4073	L Brackets w/Mounts, Single
BXW4074	L Brackets w/Mounts, Pair



### 2-Point Hitch Head Kits

BX#	Description
BXW4062	2-Point Spring Lock Assembly
BXW4065	2-Point Hardware Replacement Kit

# Trailer Levelers

BX88439



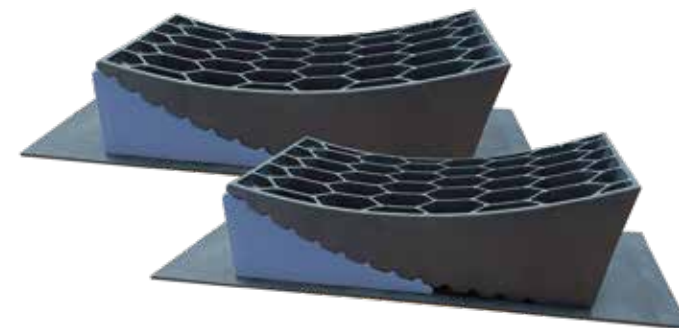
Place the anti-slip pad facing down, put the leveler on the pad.



Pull the trailer up on to the leveler.



Add the chock under the leveler.



2-Piece snap together design. Set of two levelers.



Zippered storage case included.

**Easily level your trailer. Trailers up to 35K & Tire sizes up to 32".  
Adjust to any height between 1/2" and 4". Rubber pads for extra grip on smooth surfaces.  
Limited Lifetime Warranty.**



## Adjustable Ball Mounts



Optional BXH9001 hitch step.

## Convertible Ball

Pre-installed 2" ball.  
Adjustable in height for level towing.  
Included clamshell converts 2" ball to 2-5/16".  
Will not drag on the ground like dual ball mounts.  
All-steel construction.

BX#	Description	BX#	Description	BX#	Description	BX#	Description
BXH10141	4" D/R, 2" S, 10K	BXH10171	7" D/R, 2" S, 10K	BXH12241	4" D/R, 2-1/2" S, 12K	BXH12271	7" D/R, 2-1/2" S, 12K

Hitch Step		Pintle Kit	
BX#	Description	BX#	Description
BXH9001	Hitch Step for Adjustable Ball Mounts	BXH9000	Pintle Hitch Kit

## Dual Ball

Solid forged steel with yellow-zinc plating for superior rust protection.  
One-piece ball platform provides added safety.  
1" increment height adjustments.  
Rear gusset for added strength.  
2" Receiver.

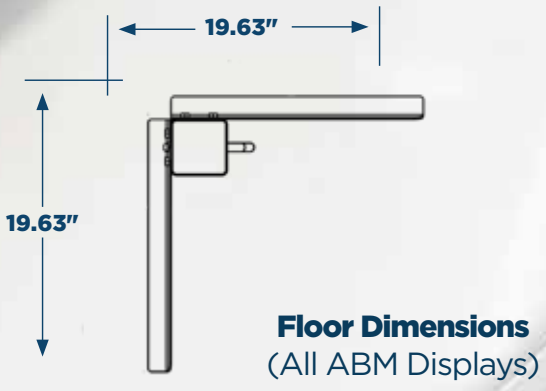
BX#	Description	BX#	Description	BX#	Description	BX#	Description
BXH10131	3-3/4" D/R, 10K 2" & 2-5/16" Ball	BXH14161	6" D/R, 14K 2" & 2-5/16" Ball	BXH14101	10-1/8" D/R, 14K 2" & 2-5/16" Ball	BXH20261	6" D/R, 10K 2" & 2-5/16" Ball

BX#	Description	BX#	Description
BXH13162	6" D/R, 13K, 2-5/16" Ball, Pintle Hook Kit	BXH20262	6" D/R, 20K 2-5/16" Ball, Pintle Hook Kit

# Adjustable Ball Mounts

Displays



DSW-Hitch Tower

# Hitch Accessories

# WD Hitch

## SwayPro/TrackPro/2-Point Displays

### Hitch Locks



BX#	Description
BX88351	Cplr. Lock, 1-7/8" to 2-5/16"
BX88402	Pin Style Coupler Lock
BX88403	Pin Style Coupler Lock & 5/8" x 3" Rec

### Hitch Immobilizers

Eliminate jerking, excess movement and rattling between the receiver hitch and the ball mount, tow bar or drop or rise receiver.



BX#	Description
BX88224	2" Immobilizer Dual U-Bolt
BX88225	2-1/2" Immobilizer Dual U-Bolt
BX88312	2-1/2" to 2" Immobilizer Dual U-Bolt
BX88371	2" Single Pull Immobilizer
BX88372	2-1/2" Single Pull Immobilizer
BX88399	3" Single Pull Immobilizer

### SwayPro Pole Tongue Adapter

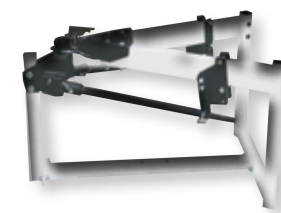
For boat trailers, ice fishing house trailers. 2000 lbs. Tongue weight capacity. Fits tongue widths 2 3/4" - 4 1/2". Fits tongue heights 3"-6". Limited lifetime warranty.



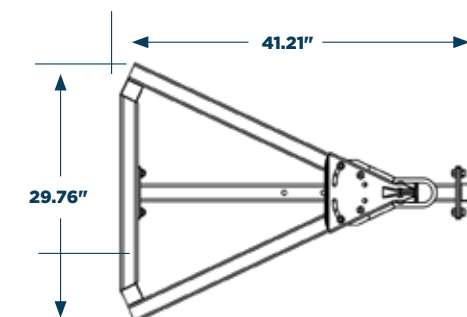
BX#	Description
BXW4023	Pole Tongue Adapter



DSW-WD Hitch Stacked



DSW-WD Hitch



Floor Dimensions  
(All WD Displays)



DS-WD Hitch Triple



# Flat Towing





# Tow Bars



## Premium Tow Bars

Patented non-binding latches quickly disconnect, even in the most rugged terrain.

Offset triple lugs for easy attachment to the baseplate.

Rubber boots protect the tow bar from dirt and debris.

No centering pin, easy to stow and store.

Safety cables included.

3-year warranty.



## Apollo

BX#	Capacity	Features
BX7470	15K	Apollo: Steel, Non-binding Latches, 2.5" Receiver



## Ascent

BX#	Capacity	Features
BX4370	7.5K	Ascent: Aluminum, Non-binding Latches, 2" Receiver
BX4375	7.5K	Avail: Steel, Non-binding Latches, 2-1/2" Receiver



## Avail

BX#	Capacity	Features
BX7420	10K	Avail: Steel, Non-binding Latches, 2" Receiver
BX7425	10K	Avail: Steel, Non-binding Latches, 2-1/2" Receiver

# Standard Tow Bars



**Alpha 2**

BX#	Tow Cap.
BX7380	6,500
BX7460	10,000

Features
Alpha 2: Steel, Non-binding Latches, 2" Receiver
Allure: Steel, Easy Release Latches, Pintle Ring Standard



**Allure**



**Acclaim**

BX#	Tow Cap.
BX4330	5,000
BX7322	5,000

Features
Acclaim: Steel, Easy Release Latches, Ball Coupler
Adventurer: Steel, Easy Release Latches, Ball Coupler



**Adventurer**

# Vehicle Baseplates



Includes coiled cable wiring plug & breakaway switch mounts.  
Removable tabs on most models preserve the OEM look of the vehicle.

## Top 10 Blue Ox Baseplates

Find more fits at [blueox.com](https://blueox.com)

BX#	Description
BX1139	Baseplate, Jeep Wrangler Rubicon Unlimited JL
BX1126	Baseplate, Jeep Wrangler, Rubicon
BX1145	Baseplate, Jeep Gladiator
BX1128	Baseplate, Jeep Grand Cherokee WL
BX2681	Baseplate Ford F150 Raptor
BX2689	Baseplate, Ford Ranger XLT
BX1746	Baseplate, GMC Canyon At4
BX2686	Baseplate, Ford F-150 Lariat
BX1747	Baseplate, GMC Yukon XL At4



# Patriot Brake



New smaller profile, fits more towed vehicles (8 X 7.5 X 11.5 vs 9 X 10 X 12).  
 New lighter design (6.2lbs vs 9.5lbs.).  
 Faster extension of the braking action.  
 Electric, self-contained.  
 Checks brake pressure to ensure proper setup.  
 No tank to drain, no pumps or hoses to connect.  
 In-cab controller monitors the brake & allows manual input.  
 Works with hybrids.

BX#	Description
BRK2022	Patriot Dinghy Tow Brake

## Brake Accessories

BX#	Features
BRK2505	Patriot Brake Breakaway Switch
BRK2520	Power Cable, USB, RF
BRK2506	Patriot Brake Protective Storage Bag
BRK2512	Patriot Brake Brake Claw
BRK2514	Patriot Brake Claw Fiat 500
BRK2502	Patriot Brake Rod Extension
BRK2503	Patriot Brake Seat Stiffener



# Mud Flap System

## Accessories

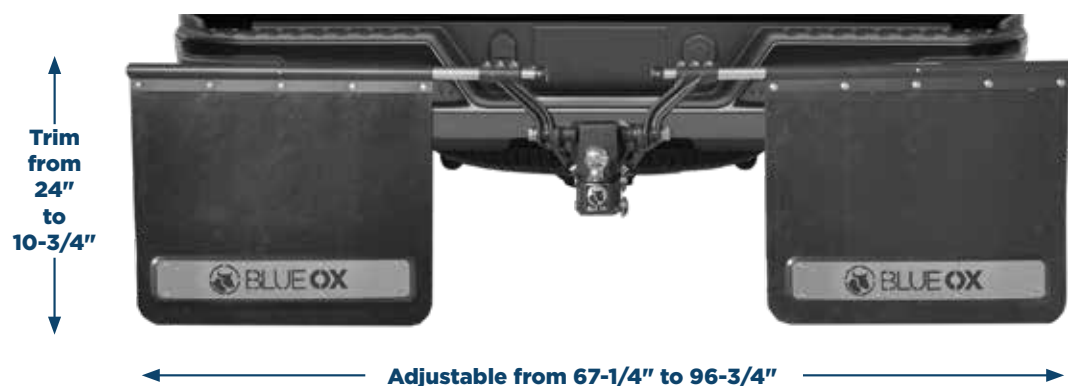
Protect What You Tow From Rocks, Mud, & Debris



**BX88420 Mud Flaps**  
System 2" Receivers



**BX88421 Mud Flaps**  
System 2-1/2" Receivers



### Features

- Forged Aluminum Hub & Arms.
- Stainless Sleeved Steel Rods.
- Stainless Steel & Zinc Nickel Hardware.
- 3/8" Thick, 24" X 24" Wide, Fiber Reinforced Mud Flaps
- Rock Screen Accessory Included

### Accessories



**BX88429 Exhaust Outlet**  
Mounts to Mud Flap  
Allows Exhaust Heat to Escape  
Blocks Road Debris



**BX88430 Rock Screen**  
Easy to Install Between Mud Flaps  
Adjustable Width & Height  
Added Center Protection from Debris



**BX88431 Heat Shield**  
Easy to Install  
Protects Mud Flaps from Exhaust  
Reduces Temperature at Flap

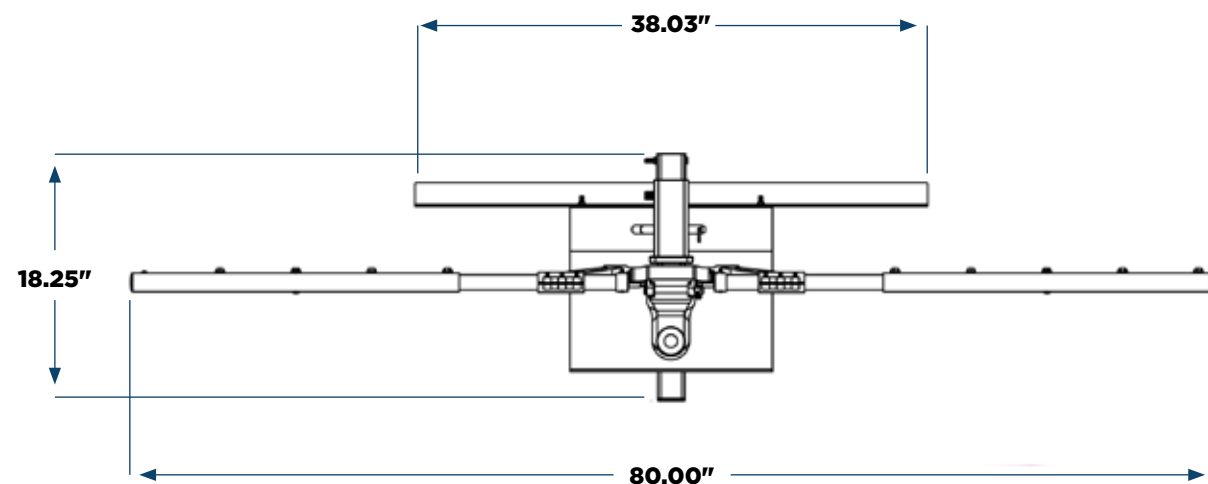


**BX88436 Garage Hanger**  
Easy to Install  
Store the Mud Flap System in  
Your Garage When Not in Use

# Mud Flap System Display



## DSW-Rock Guards

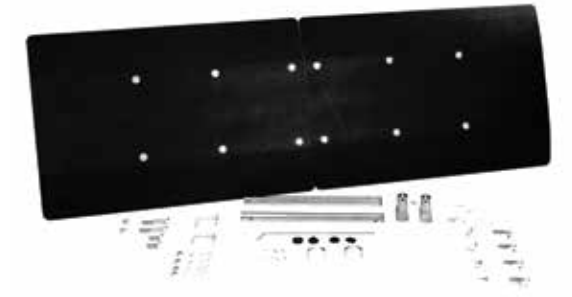


Floor Dimensions

# Flat Towing Accessories

## KarGard Deflector

Protects towed vehicle from road debris, easily folds for storage, quick and easy installation, all mounting hardware included.



BX#	Description
BX8870	KarGard Heavy Duty Deflector

## Rise/Drop Receivers

Keeps tow bars level within 3".



BX#	Description
BX88379	4" Adjustable Rise/Drop, 10K
BX88340	8" Adjustable Rise/Drop, 10K
BX88352	8" Adjustable Rise/Drop, 15K

## Tow Bar Accessory Kits & Covers

BX#	Features
BX88411	2" Receiver Kit: Cover, 6-Pin Connector, 7-6 Wire Electrical Cable, 3 Locks, 2" Single Pull Immobilizer
BX88412	2-1/2" Receiver Kit: Cover, 6-Pin Connector, 7-6 Wire Electrical Cable, 3 Locks, 2-1/2" Single Pull Immobilizer
BX88309	Avail/Ascent Tow Bar Cover
BX8875	Alpha 2/Alpha/Aladdin/Aventa LX Tow Bar Cover



## Hitch Immobilizers

Eliminate jerking, excess movement and rattling between the receiver hitch and the ball mount, tow bar or drop or rise receiver.

BX#	Description
BX88224	2" Immobilizer Dual U-Bolt
BX88225	2-1/2" Immobilizer Dual U-Bolt
BX88312	2-1/2" to 2" Immobilizer Dual U-Bolt
BX88371	2" Single Pull Immobilizer
BX88372	2-1/2" Single Pull Immobilizer
BX88399	3" Single Pull Immobilizer



# Flat Towing Accessories

## Bumper Adapters

Designed for use with Blue Ox Tow Bars equipped with standard triple lugs.



BX#	Description
BX88357	Off-Road Adapter Kit 7/8" Pin
BX88358	Off-Road Adapter Kit 1" Pin

## Hitch Locks

Secures a Blue Ox® tow bar to a baseplate and receiver hitch to prevent theft. Prevents accidental unhitching. 3 and 4 lock sets have matched keys.



BX#	Description
BX8858	5/8" x 2" Rec. Class III-IV-V
BX8859	1/2" for Baseplate Class II
BX88359	1/2" x 3" Lock Class II Keyed Alike
BX88212	5/8" x 4" for 2-1/2" Rec
BX88101	3-Lock kit 5/8" & (2) 1/2"
BX88177	4-Lock kit 5/8" & (2) 1/2"

## Tow Bar Connecting Pins

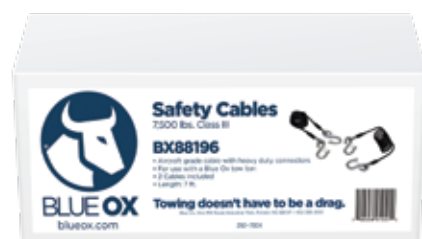
BX#	Description
BX88219	Tow Bar Pins with Clips



## Safety Cables

Plastic-coated, aircraft-grade with heavy duty connectors.

BX#	Description
BX88196	7,500 lbs. 7ft.
BX88197	10,000 lbs. 7ft.
BX88362	15,000 lbs. 7ft.



# Wiring Kits

## EZ Light Wiring Kits

Connect to the tow vehicle's electrical system in as little as 15 minutes.

Includes wiring for a towed vehicle's: Taillights, turn signals, brake lights.

BX#	Description
BX88368	2018-2022 Jeep Wrangler JL
BX88368	2020-2021 Jeep Gladiator
BX88314	2012-2016 Honda CRV
BX88366	2015-2019 Ford F-150
BX88366	2015-2019 Ford F-150 Raptor
BX88406	2014-2021 Jeep Grand Cherokee



Find more fits at [blueox.com](http://blueox.com)

## Standard Wiring Kits

Connect a towed vehicle to an RV's electrical system.

BX#	Description
BX8869	Bulb & Socket Taillight Kit
BX8848	Diode Kit: Wiring Harness & Diodes
BX88334	Diode Kit with 50 OHM Resistor
BX88267	Red LED Wiring Kit
BX88269	Clear LED Wiring Kit



## Coiled Electrical Cables

Eliminates accidental disconnects. Molded design: less wear and tear, protects wiring in all weather. Cables expand from 1' to 7'. Trailer plug sockets included. Wire connectors encased in silicone.

BX#	Description
BX8861	4 Wire
BX8862	6 Wire
BX88206	7 to 6 Wire
BX88254	7 to 4 Wire



## Fuse Bypass Switches

Flip a switch instead of pulling a fuse.

BX#	Description
BX88294	ATC/ATO, 2 Circuit Fuse Bypass Switch
BX88274	High Current Fuse Bypass Switch
BX88273	Two Mini Fuse Bypass Switch
BX88272	Mini Fuse Bypass Switch, Long Lead
BX88271	Mini Fuse Bypass Switch, Short Lead



# Tow Bar Displays



**BLUE OX** Premium Receiver Mount Tow Bars  
The Ultimate in Freedom of Mobility

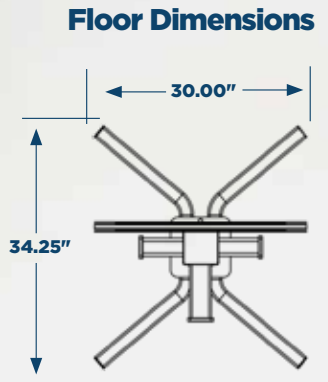
Capacities: Apollo 15K • Avail 10K • Ascent 7.5K

Patented non-binding ball/eye coupler, disc covers, shock absorber  
2-Phase Right Angle for easy attachment to the coupler  
Multiple modes protect the tow bar from 48V and 120V  
No connecting or disconnecting wires  
Super sensitive safety release system

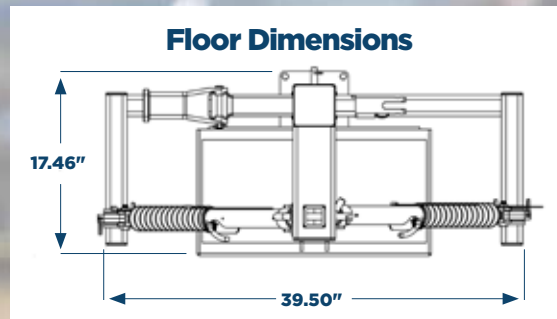
**Accessory Kit**  
2-Phase 2" Coupler Kit, Discs, 6-Pin Connector, 2-6 Wire Electrical Cable, 2 Locks 2" Single Pin Removable

Towing Doesn't Have to be a Drag™

402-2223 Display Sign



DSW-TB Tower 2.5



DSW-Extended TB Tower



# Customer Care

800-228-9289 • info@blueox.com

dealerportalblueox.com



blueox.com

One Mill Road, Industrial Park, Pender, NE 68047

