

# Dealer Displays & Signage

Showroom Marketing



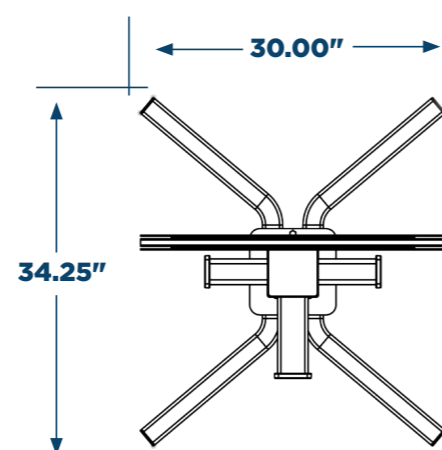
**BLUE OX**

# Flat Towing Floor Display

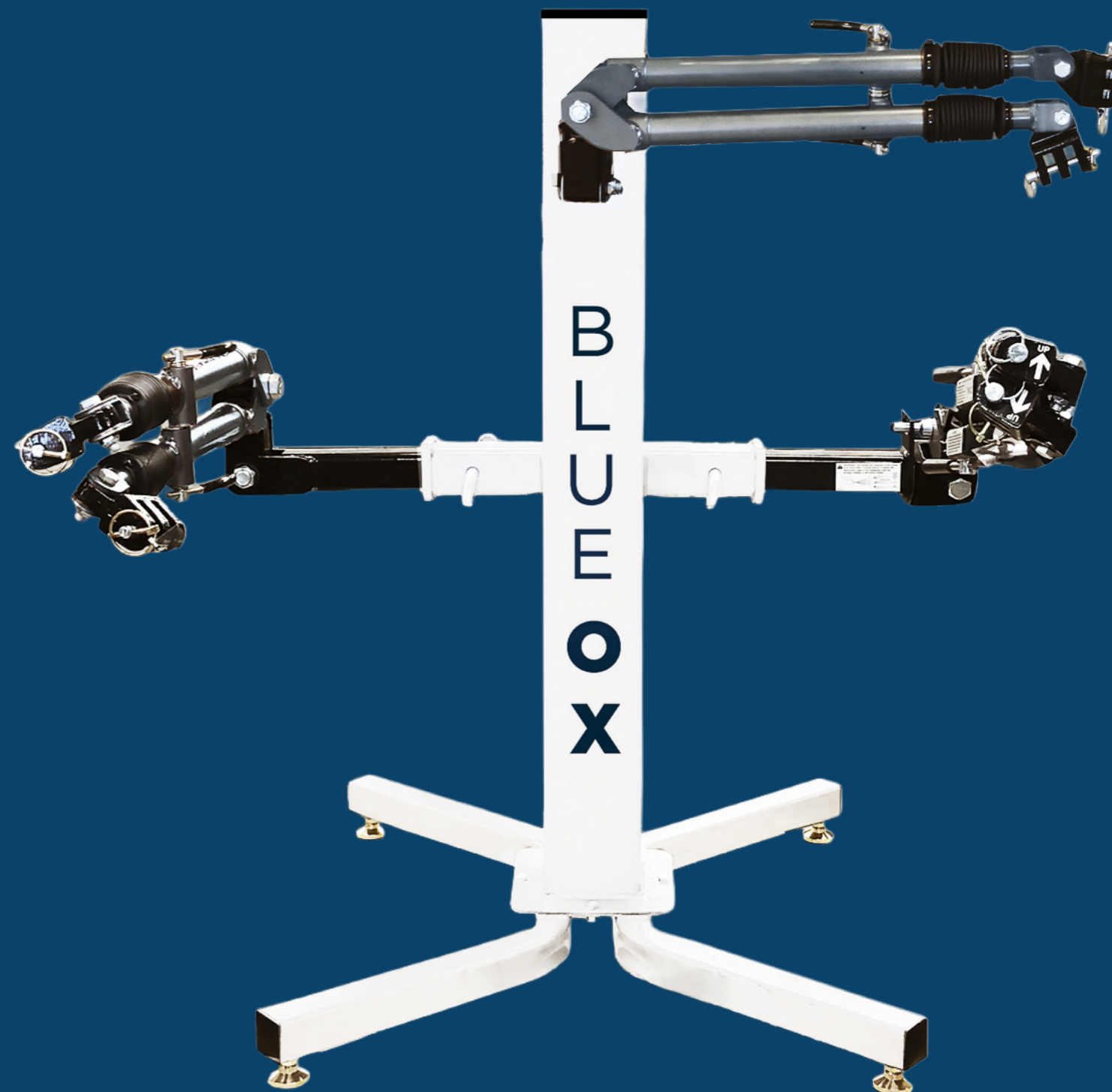
DSW-TB Tower 2.5



402-2235 Display Sign



Floor Dimensions

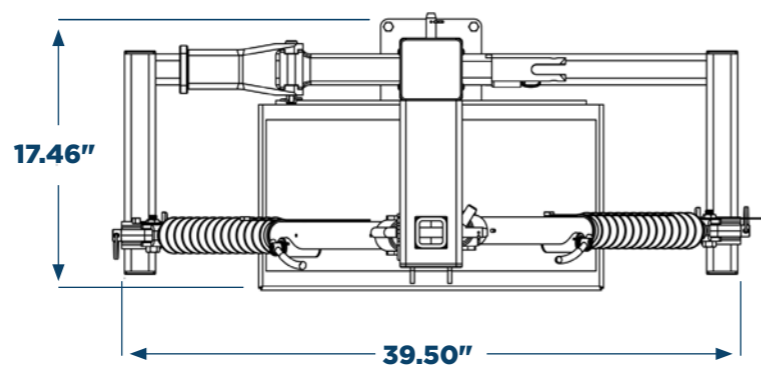


# Flat Towing Floor Display

DSW-Extended TB Tower



402-2235 Display Sign

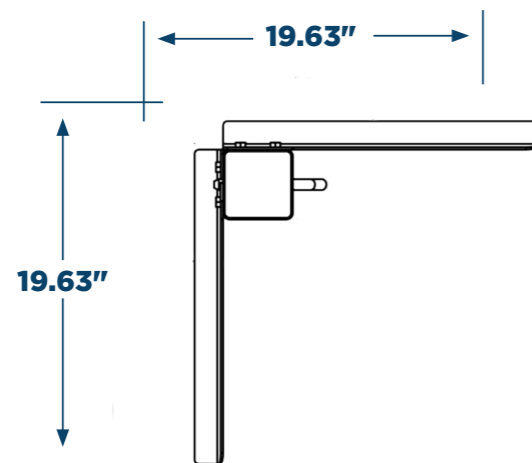


Floor Dimensions



# Adjustable Ball Mounts

DSW-Hitchtower

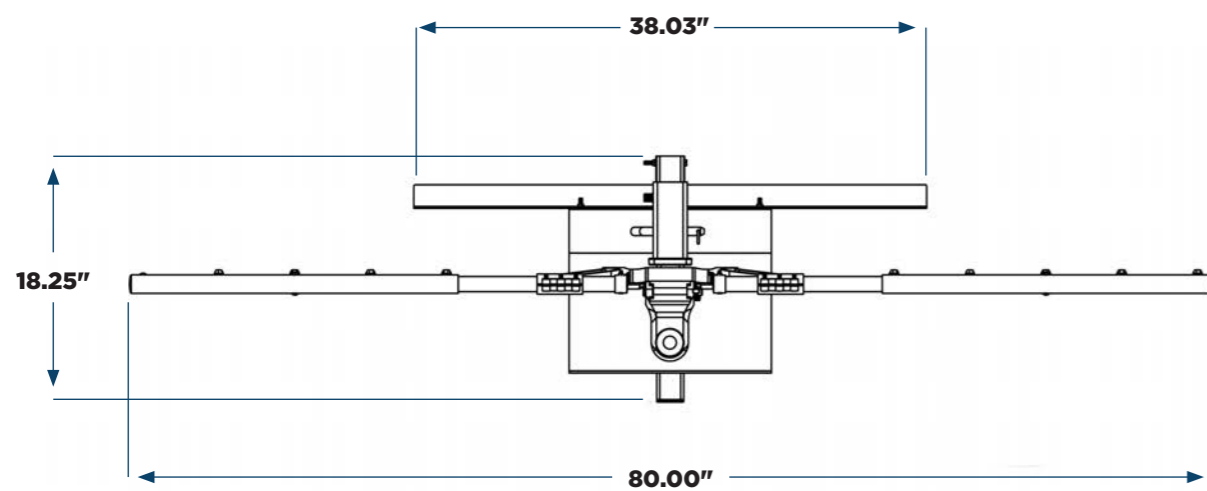


**Floor Dimensions**



# Mud Flap System

DSW-Rock Guards



Floor Dimensions

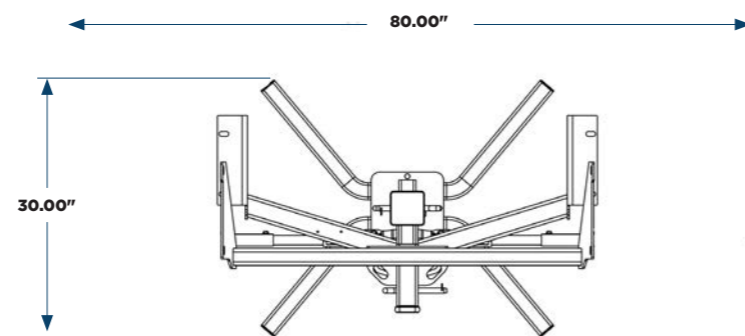


# Receiver Hitch

DSW-Receiver Hitch



402-2238 Display Sign



Floor Dimensions

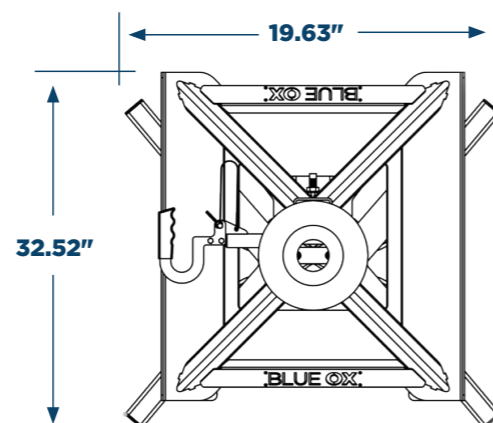


# 5th Wheel

DSW-5th Wheel Tower



402-2237 Display Sign

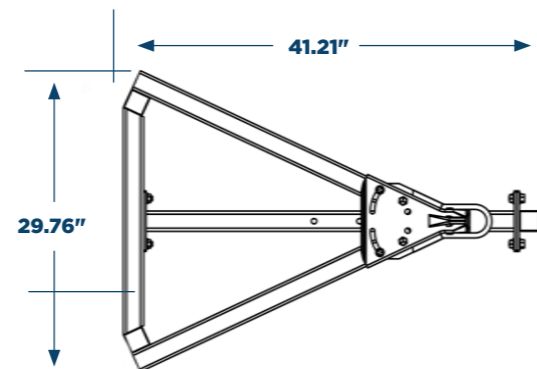


Floor Dimensions



# WD Hitch

DSW-1WDHITCH for SwayPro™, TrackPro™, & 2-Point™

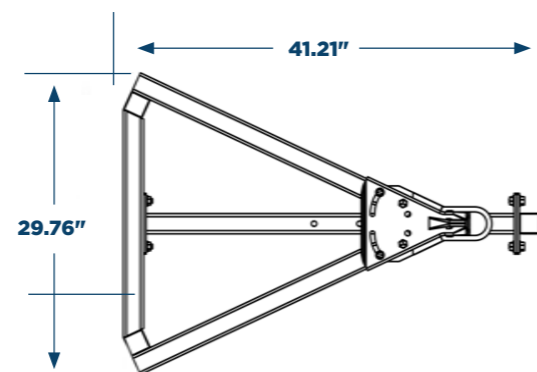


402-2236 Display Sign

Floor Dimensions  
(All WD Displays)

# WD Hitch

**DSW-2WDHITCH for SwayPro™, TrackPro™, & 2-Point™**

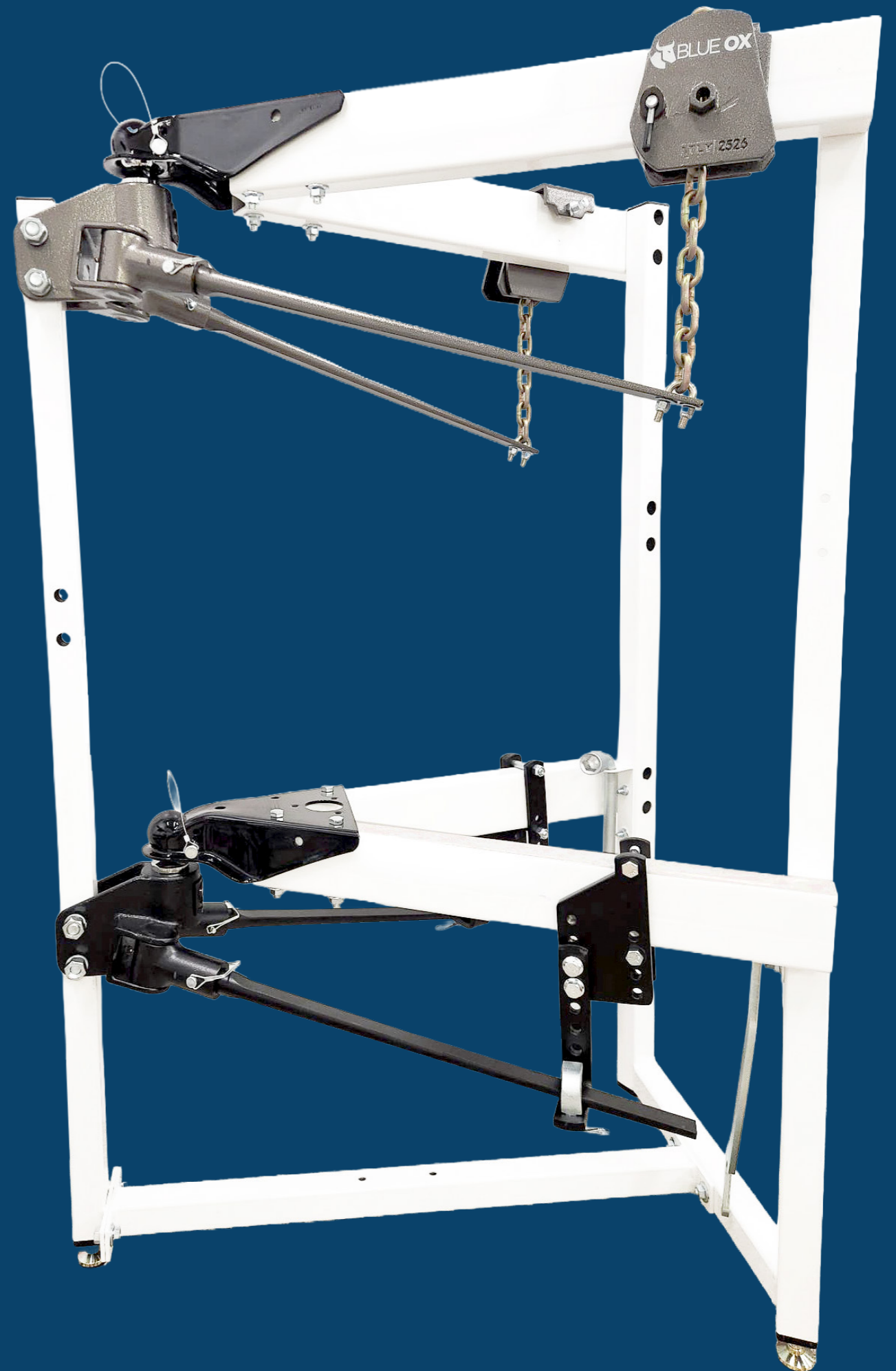


**Floor Dimensions**  
(All WD Displays)

**402-2236 Display Sign**

**84-0268** (wd hitch add-on)

**84-0230** (TV Mount Kit)



# Signage

Posters, Counter Mat, Banner,  
Window Cling



**Window Cling 402-2211**  
6" x 3"



**Counter Mat 404-0079**  
17" x 11"



**Banner 402-0047**  
3' x 5'

# Product Knowledge

**Flat Towing**

**Baseplate**  
A baseplate is a bracket installed to the front of a vehicle to connect a tow bar.  
**Find your perfect fit at blueox.com**

**Tow Bar**  
Creates a secure connection allowing vehicle to be towed without a trailer.  
**BX7421**

**Tow Brake**  
Applies the brakes of the towed vehicle based on braking input from the towing vehicle.  
**BHX2022**

**Protective Equipment**  
Protects your towed vehicle from damage by road debris or rocks.  
**BX3870**

**Drop Receiver**  
Lowers or raises the hitch connection for level towing.

**Wiring Kit**  
Powers the lights on your towed vehicle while towing.

**Accessory Kit**  
Accessories needed to secure and store your tow bar.

**Pinnacle Of Protection**  
Industry-leading premium textured powder coat over e-coat from our TTX paint facility, shields against rust and corrosion.

**SwayPro Uses Rotating Latches**  
Wrap around latch design allows for quick hook up with less hassle than traditional snap-up methods. No pins or clips to lose.

**TrackPro Uses an Offset Backing Plate**  
"Offset" design toward the front of the trailer to help the hitch's sway control system pivot and control trailer sway.

**A Fourth Generation Family Owned Company**

**Flat Towing Poster**  
**402-2239**  
24" x 36"

**WD Hitches**

**SwayPro & TrackPro**

**Smooth, Stable Ride**  
Weight is distributed evenly across axles to minimize trailer bounce and "porpoising."

**Integrated Positive Castor**  
Designed with integrated positive castor working in tandem with the loaded spring bars pushing the trailer to center.

**Spring Steel Bars**  
Flex and bow augmenting the suspensions of the tow vehicle and trailer. Can be swapped out with changing tongue weights.

**Pinnacle Of Protection**  
Industry-leading premium textured powder coat over e-coat from our TTX paint facility, shields against rust and corrosion.

**SwayPro Uses Rotating Latches**  
Wrap around latch design allows for quick hook up with less hassle than traditional snap-up methods. No pins or clips to lose.

**TrackPro Uses an Offset Backing Plate**  
"Offset" design toward the front of the trailer to help the hitch's sway control system pivot and control trailer sway.

**A Fourth Generation Family Owned Company**

**Weight Distributing Hitch Poster**  
**402-2240**  
24" x 36"

# Lifestyle

**Flat Towing Lifestyle Poster**

**BLUE OX**

Tow Bars • Brakes • Baseplates • Accessories

**A Fourth Generation Family Owned Company**

**Flat Towing Lifestyle Poster**  
**402-2243**  
24" x 36"

**WD Lifestyle Poster**

**BLUE OX**

SwayPro • TrackPro • Weight Distributing Hitches • Accessories

**A Fourth Generation Family Owned Company**

**WD Lifestyle Poster**  
**402-2244**  
24" x 36"

**5th Wheel**

**Connection**  
360° nesting of the kingpin. No need for extra kingpin adapters. Reduces the risk of false hookups & Trailer drops.

**Dual Articulating Head**  
Hitch head articulates from front to back, side to side, allowing the trailer to move with the truck over uneven ground.

**Adjustable Height**  
Height adjustments 17", 18", and 19" (3" height adjustments). The head height adjusts with 4 bolts.

**Lightweight Design**  
Two sturdy pieces. Remove the hitch easily and reclaim your truck bed.  
**BXR2100**: 125 lbs. Base: 74 lbs. Head 51 lbs.  
**BXR2410**: 101 lbs. Base: 50 lbs. Head 51 lbs.

**Pinnacle Of Protection**  
E-coat immersion ensures 100% coverage of complex parts, as well as uniform thickness. This in turn ensures superior corrosion protection. We add a Powder Coat on top of the E-Coat to make our products UV stable, lending an increased protection to products that face exposure to the elements. 5 year limited warranty.

**A Fourth Generation Family Owned Company**

**5th Wheel Hitch Poster**  
**402-2241**  
24" x 36"

**Receiver Hitches**

**Made in the U.S.A.**

**Vehicle-Specific Design & Quality Construction**  
Blue Ox receiver hitches are custom-designed to fit your specific make and model, ensuring proper fit and optimal towing performance.

**Enhanced Towing Capability**  
Expanding what your vehicle can tow (within its rated limits) giving you a secure connection point for anything you need to tow.

**Long-Term Reliability**  
Built in the U.S.A. with quality materials, Blue Ox hitches have a reputation for durability and long service life, backed by a limited lifetime warranty.

**Pinnacle Of Protection**  
Industry-leading premium textured powder coat over e-coat from our TTX paint facility, shields against rust and corrosion.

**A Fourth Generation Family Owned Company**

**Receiver Hitches Poster**  
**402-2242**  
24" x 36"

**5th Wheel Lifestyle Poster**

**BLUE OX**

**5th Wheel Hitches - Accessories**

- Two-piece, lightweight design
- Funnel shaped hitch head helps guide the kingpin into place, significantly reducing the risk of false hookups & trailer drops
- Dual articulating head, front/back, side-to-side
- True 360° nesting of the kingpin.
- Adjustable height: 17", 18", and 19"

**BXR2100**  
125 lbs. Base: 74 lbs. Head 51 lbs.

**BXR2410**  
101 lbs. Base: 50 lbs. Head 51 lbs.

**A Fourth Generation Family Owned Company**

**5th Wheel Lifestyle Poster**  
**402-2216**  
24" x 36"

# Hitches Tow Bars Brakes Baseplates Accessories

[blueox.com](http://blueox.com)

[dealerportalblueox.com](http://dealerportalblueox.com)

