



BLUE OX
Towing Doesn't Have to be a Drag™

Contents

SECTION	PAGE
About Us	04
What You Need to Flat Tow	08
Flat Towing—Tow Bars	10
Flat Towing—Baseplates	14
Flat Towing—Brakes	18
Flat Towing—Wiring Kits	20
Flat Towing—Accessories	21
Weight Distribution—How Does Sway Prevention Work?	24
Weight Distribution—SwayPro™	26

SECTION	PAGE
Weight Distribution—TrackPro™	28
Weight Distribution—2-Point™	30
Weight Distribution—Accessories	32
Towing with a 5th Wheel Hitch	38
5th Wheels	40
Receiver Hitches	42
Adjustable Ball Mounts	46
Protective Equipment	48
Our Promise	52



Towing Doesn't Have to be a Drag™

Chances are you've seen us on the road. At Blue Ox, we design and manufacture the best towing products in the industry. But don't just take our word for it; look around. You'll find us on highways, in campgrounds, and wherever people journey through life in the great outdoors.

A fourth-generation family-owned business since 1925, Blue Ox has manufactured our products in Pender, Nebraska. We take pride in our innovative offerings and exceptional customer service and training. Blue Ox provides solutions for everything you want to tow, from award-winning tow bars and innovative baseplates to a complete line of sway control and weight-distributing hitches, fifth-wheel hitches, ball mounts, custom receiver hitches, and accessories for every category.

With state-of-the-art automation and engineering, intuitive designs, and straightforward installations, our towing solutions empower seasoned adventurers and newcomers alike. Our leading-edge E-coating paint line exemplifies our commitment to excellence, setting a new industry standard for durability and finish.

We create all our products to make towing more accessible so you can focus on the road ahead, not what's behind you.



Flat Towing



What Do You Need to Flat Tow?

Baseplate:

A baseplate is a semi-permanent bracket installed to the front of a vehicle where a tow bar can be connected. Baseplates are engineered to transfer the stress of towing and braking more evenly. This is important when flat towing, aka towing with all four wheels on the ground, so that your towed vehicle does not sustain damage.

Tow Bar:

Tow bars create a secure connection between a towing vehicle and a towed vehicle, allowing the towed vehicle to be pulled behind without the need for a trailer. They use arms that extend and pivot, adapting to turns and movements.

Flat Tow Brake:

Also known as a “dinghy towing brake,” a flat tow brake system is a device that applies the brakes of the dinghy based on an input from the towing vehicle due to a braking event. The tow brake goes into action as soon as the brake receives that input. Another way for the brakes to engage is to use the remote to engage the brakes.



Accessory Kit:

Blue Ox Accessory Kits contain the accessories you need including locks that secure your tow bar to the vehicle baseplate and the receiver hitch. An immobilizer to prevent the tow bar from rattling in the motorhome’s receiver hitch. A tow bar cover is included to protect your tow bar when it is stored on the back of the motorhome. A 7 to 6 electrical cable is included to transfer power from the motorhome to the towed vehicle’s lights while towing.

Wiring Kit:

Blue Ox offers a wide range of wiring kits to power the lights on your towed vehicle while towing: Traditional Bulb & Socket kits; Kits with LED lights; Kits with diodes; EZ-Light wiring kits that install in minutes.

Fuse Bypass Switches:

Stop pulling fuses. Disconnect with the flip of a switch. Available in four (5) different models(see application guide for fit information). Provides a safe alternative to the constant removal and reinstallation of the fuse when changing from the towed mode to the driving mode.

Drop Receivers:

Lowers or raises the receiver connection to allow the tow bar to be level when towing. The receiver end of the tow bar should never be more than 3 inches higher than the baseplate attachment points. Available for 2" and 2-1/2" receivers.

Premium Tow Bars

Patented non-binding latches quickly disconnect, even in rugged terrain.
Advanced E-Coat + Powder Coat for superior durability.
Offset triple lugs for easy attachment to the baseplate.
Rubber boots protect the tow bar from dirt and debris.
No centering pin, easy to stow and store.
Safety cables included.
3-year warranty.



Apollo

Dark Gray Sparkle e-coat + powder coat.

BX#	Cap.	Features
BX7475	15K	Steel, Non-binding Latches, 2" Receiver
BX7470	15K	Steel, Non-binding Latches, 2.5" Receiver



Ascent

Maroon Shimmer e-coat + powder coat.

BX#	Cap.	Features
BX4370	7.5K	Aluminum, Non-binding Latches, 2" Receiver
BX4375	7.5K	Steel, Non-binding Latches, 2-1/2" Receiver



Avail

Cinnamon Coffee Metallic e-coat + powder coat.

BX#	Cap.	Features
BX7420	10K	Steel, Non-binding Latches, 2" Receiver
BX7425	10K	Steel, Non-binding Latches, 2-1/2" Receiver

Standard Tow Bars



Alpha 2

BX#	Tow Cap.	Features
BX7380	6,500	Steel, Non-binding Latches, 2" Receiver



Acclaim

BX#	Tow Cap.	Features
BX4330	5,000	Steel, Easy Release Latches, Ball Coupler



Allure

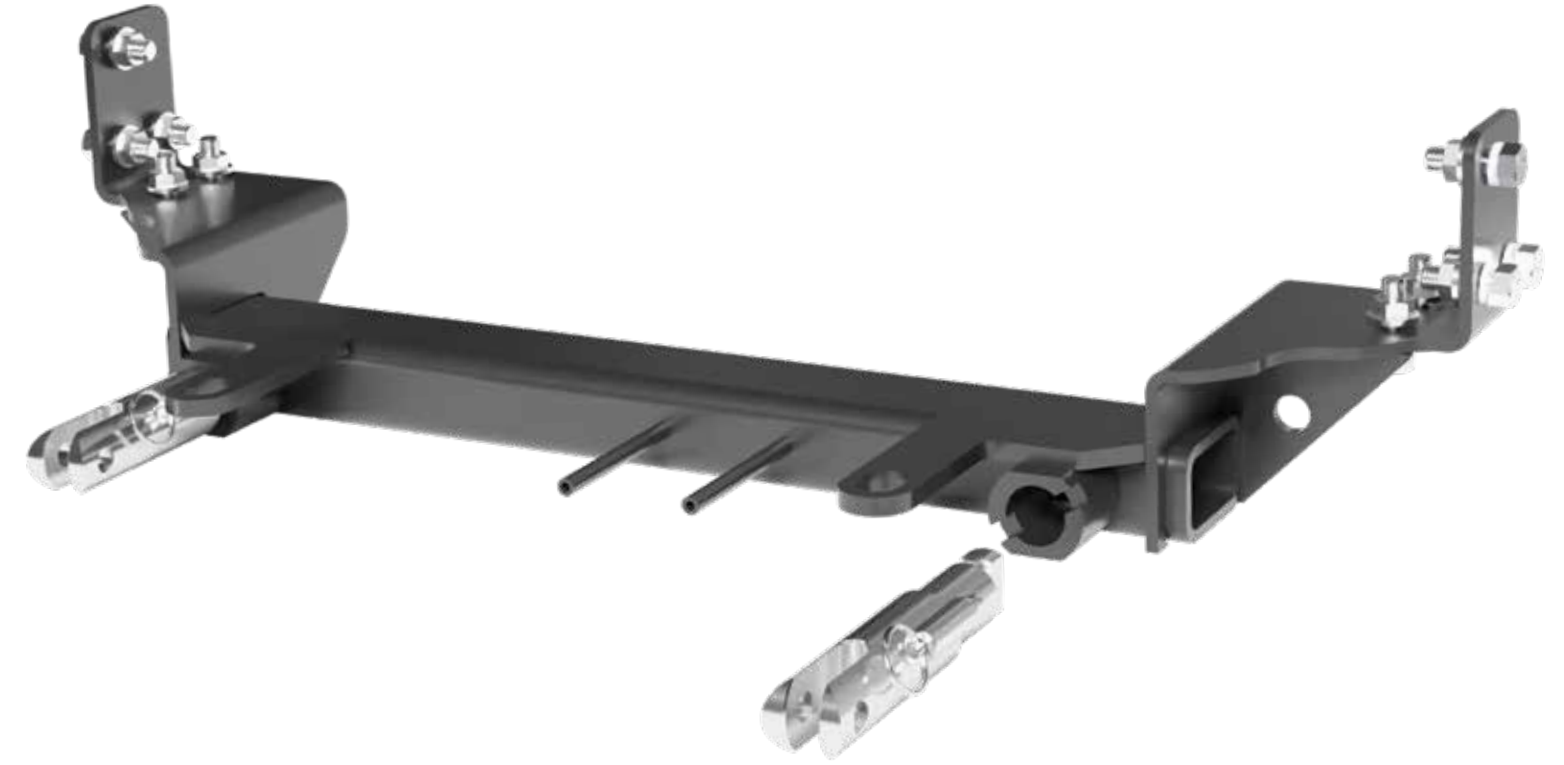
BX#	Tow Cap.	Features
BX7460	10,000	Steel, Easy Release Latches, Pintle Ring Standard



Adventurer

BX#	Tow Cap.	Features
BX7322	5,000	Steel, Easy Release Latches, Ball Coupler

Baseplates



Features

Custom-designed for each vehicle, bolting directly into the chassis.
Design and engineered to use as many attachment points as possible.
Requires no welding for installation. Hidden beneath the vehicle body.
Includes mountings for coiled cable wiring plug & breakaway switch.
Advanced E-Coat + Powder Coat for superior durability.

Visit blueox.com to Find the Baseplate That Fits Your Vehicle

Top Baseplates by Popularity

BX1139	JEEP WRANGLER RUBICON UNLIMITED (JL)	2018-2025
BX1126	JEEP WRANGLER, RUBICON	2007-2018
BX1145	JEEP GLADIATOR	2020-2025
BX2692	FORD BRONCO BADLANDS 2022	2022-2025
BX2686	FORD F-150 LARIAT	2021-2025
BX1128	JEEP GRAND CHEROKEE WK	2011-2013
BX1758	CHEVROLET COLORADO Z71 W/ SKID PLATE	2023-2025
BX2681	FORD F150 RAPTOR	2015-2017
BX1730	CHEVY EQUINOX LT	2018-2024
BX2417	DODGE RAM 1500 ECO DIESEL	2019-2024
BX1154	JEEP GRAND CHEROKEE 4XE W/ TOW HOOKS	2022-2025
BX2698	FORD BRONCO OUTERBANKS ADVANCED	2021-2025
BX2258	BASE PLATE, HONDA CR-V	2012-2014
BX1746	GMC CANYON AT4	2015-2022
BX1753	GMC DENALI & AT4	2019-2025
BX2696	FORD F250 & F350 (PERMANENT TABS)	2020-2024
BX1760	CHEVROLET TRAX 2RS	2024-2025
BX1134	JEEP WRANGLER, RBCN ANN	2013
BX1153	JEEP GRAND CHEROKEE 4XE SUMMIT	2022-2025
BX1754	CHEVROLET 1500 SILVERADO LTZ ECO DIESEL	2022-2025
BX2689	FORD RANGER XLT	2019-2023
BX1143	JEEP CHEROKEE TRAILHAWK W/TECHNOLOGY PKG & ACC	2019-2023
BX1120	JEEP WRANGLE TUBE ST	1997-2006
BX2913	FORD MAVERICK HEV	2022-2024
BX2697	FORD ESCAPE HYBRID PHEV	2023-2025
BX1521	BUICK ENCORE GX AWD	2024-2025
BX1146	JEEP GRAND CHEROKEE L (SUMMIT RESERVE)	2024-2025
BX1735	CHEVROLET BLAZER RS	2019-2025
BX1745	CHEVROLET TAHOE PREMIER	2021-2024
BX2246	HONDA CR-V	2007-2011

Visit blueox.com to Find the Baseplate That Fits Your Vehicle

BX1689	GMC TERRAIN	2010-2017
BX1747	GMC YUKON XL AT4	2022
BX1763	CHEVROLET TRAILBLAZER, RS, ACTIVE	2024-2025
BX2420	RAM 2500/3500 DIESEL	2019-2024
BX1307	BMW MINI COOPER	2011-2013
BX2693	FORD EXPEDITION TIMBERLINE	2018-2024
BX2699	LINCOLN NAUTILUS, HYBRID	2024-2025
BX2421	RAM 1500	2025
BX1761	GMC 2500HD DENALI ULTIMATE (DIESEL)	2024-2025
BX1762	CHEVROLET 2500HD SILVERADO HIGH COUNTRY DIESEL	2024-2025
BX2418	DODGE RAM	2018
BX1742	CHEVROLET TAHOE Z71	2016-2019
BX1765	CHEVROLET TRAX ACTIV	2024-2025
BX1155	JEEP CHEROKEE TRAILHAWK	2014-2018
BX1986	RAM 1500	2009
BX1118	JEEP WRANGLER	1997-2002
BX1519	BUICK ENVISION	2016-2020
BX2691	FORD ESCAPE HYBRID	2020-2025
BX2801	FIAT 500 POP	2012-2017
BX2668	FORD EXPLORER LIMITED	2016-2019
BX1703	CHEVROLET SONIC TURBO	2012-2020
BX1743	CHEVROLET 3500 HD	2015-2019
BX2677	FORD EDGE ST	2019-2024
BX2694	FORD ESCAPE HYBRID (NO PLUG-IN)	2023-2025
BX2232	HONDA CRV	2002-2004
BX1989	DODGE RAM 2500-3500	2003-2009
BX2409	DODGE RAM TRUCK 1500ST	2009
BX1308	BMW MINI COOPER, COUNTR	2011-2016
BX2675	FORD F250 DIESEL W/ ACC	2017-2019
BX1716	CHEVROLET SUBURBAN LTZ	2015-2020

Patriot Brake



Features

- New smaller profile, fits more towed vehicles (8 X 7.5 X 11.5 vs 9 X 10 X 12).
- New lighter design (6.2lbs vs 9.5lbs.).
- Faster extension of the braking action.
- Electric, self-contained.
- Checks brake pressure to ensure proper setup.
- No tank to drain, no pumps or hoses to connect.
- In-cab controller monitors the brake & allows manual input.
- Works with hybrids.

Brake Accessories

BX#	Features
BRK2505	Patriot Brake Breakaway Switch
BRK2520	Power Cable, USB, RF
BRK2506	Patriot Brake Protective Storage Bag
BRK2512	Patriot Brake Brake Claw
BRK2514	Patriot Brake Claw Fiat 500
BRK2502	Patriot Brake Rod Extension
BRK2503	Patriot Brake Seat Stiffener

Wiring Kits

EZ-Light Wiring Kits



BX#	Description
BX88368	2018-2022 Jeep Wrangler JL
BX88368	2020-2021 Jeep Gladiator
BX88314	2012-2016 Honda CRV
BX88366	2015-2019 Ford F-150
BX88366	2015-2019 Ford F-150 Raptor
BX88406	2014-2021 Jeep Grand Cherokee



Standard Wiring Kits

BX#	Description
BX8869	Bulb & Socket Taillight Kit
BX8848	Diode Kit: Wiring Harness & Diodes
BX88334	Diode Kit with 50 OHM Resistor
BX88267	Red LED Wiring Kit
BX88269	Clear LED Wiring Kit

Fuse Bypass Switches



BX#	Description
BX88294	ATC/ATO, 2 Circuit Fuse Bypass Switch
BX88274	High Current Fuse Bypass Switch
BX88273	Two Mini Fuse Bypass Switch
BX88272	Mini Fuse Bypass Switch, Long Lead
BX88271	Mini Fuse Bypass Switch, Short Lead



Towed Vehicle Power

BX#	Description
BX88443	Manual Battery Disconnect
BX#	Description
BX88453	Towed Vehicle Charge Line

Coiled Electrical Cables



BX#	Description
BX8861	4 Wire
BX8862	6 Wire
BX88206	7 to 6 Wire
BX88254	7 to 4 Wire

Progressive Tail light Kit

BX#	Description
BX88442	Progressive 6 Wire Tail light Kit for Chevrolet Silverado 2500/3500 & GMC Sierra 2500/3500

Flat Towing Accessories

Tow Bar Accessory Kits



BX#	Features
BX88411	2" Receiver Kit: Cover, 6-Pin Connector, 7-6 Wire Electrical Cable, 3 Locks, 2" Single Pull Immobilizer
BX88412	2-1/2" Receiver Kit: Cover, 6-Pin Connector, 7-6 Wire Electrical Cable, 3 Locks, 2-1/2" Single Pull Immobilizer



Bumper Adapters

BX#	Description
BX88357	Off-Road Adapter Kit 7/8" Pin
BX88358	Off-Road Adapter Kit 1" Pin

Tow Bar Covers



BX#	Features
BX88309	Avail/Ascent
BX8875	Alpha 2/Alpha/Aladdin/Aventa LX



Hitch Locks

BX#	Description
BX8858	5/8" x 2" Rec. Class III-IV-V
BX8859	1/2" for Baseplate Class II
BX88359	1/2" x 3" Lock Class II Keyed Alike
BX88212	5/8" x 4" for 2-1/2" Rec
BX88101	3-Lock kit 5/8" & (2) 1/2"
BX88177	4-Lock kit 5/8" & (2) 1/2"

Safety Cables & Pins



BX#	Description
BX88196	7,500 lbs. 7ft.
BX88197	10,000 lbs. 7ft.
BX88362	15,000 lbs. 7ft.

BX#	Description
BX88219	Tow Bar Pins with Clips



Hitch Immobilizers

BX#	Description
BX88224	2" Immobilizer Dual U-Bolt
BX88225	2-1/2" Immobilizer Dual U-Bolt
BX88312	2-1/2" to 2" Immobilizer Dual U-Bolt
BX88371	2" Single Pull Immobilizer
BX88372	2-1/2" Single Pull Immobilizer
BX88399	3" Single Pull Immobilizer

Weight Distributing



How Does Blue Ox Sway Prevention Work?

Blue Ox Weight Distributing hitch heads are designed with integrated positive caster working in tandem with loaded spring bars.

Just like the steering wheel in your car or truck returns to center after you turn a corner, our hitch head keeps the trailer centered.

Positive Caster: Caster is the measure of how far forward or behind the steering axis is to the vertical axis, viewed from the side. This is measured by drawing a line between the top and bottom pivot points of the front upright. The angle between the drawn line and vertical is the caster angle.

If the line slopes towards the rear of the vehicle, then you have positive caster. Positive caster increases the lean of the tire when the vehicle is cornering, while returning it to an upright position when driving straight ahead.

SwayPro and TrackPro hitch heads employ positive caster, constantly pushing the trailer to the center of the towed vehicle.

True Vertical

Pivot Angle

SwayPro's spring bars act as a suspension between the tow vehicle and the trailer.

Weight Distribution & Integrated Sway Control

Our Weight Distribution Hitches prevent uneven tire wear on vehicles and trailers, evenly distributing the weight of your payload to level out your ride.

SwayPro & TrackPro feature built-in sway control rather than relying on separate add-ons, making them simpler and cleaner to use. Castor built into the hitch head, working in conjunction with spring bars that flex and bow (unlike traditional systems) augment the suspensions of the tow vehicle, loading up and nudging the trailer back to center.

Easy Installation, Adjustment & Use

The head pitch is set, so there is no messing or guessing with washers. Spring Bars can be swapped out (maintaining the existing shank and head) to adjust for changing tongue weights. Backup without disconnecting. Multiple shank, head, and bar configurations are available. Grease zerks in the head make maintenance simple and easy.

Robust Construction & Finish

Solid steel components, protective industry-leading e-coat paint + powder coat finish for durability, and proven engineering deliver a long service life.

Smooth, Stable Ride

Weight is distributed evenly across axles to minimize trailer bounce and "porpoising," improving driver control and comfort in all types of weather and driving conditions.

Brand Reliability & Support

Blue Ox's reputation for customer service, comprehensive limited lifetime warranties, and replacement part availability instill confidence.

SwayPro WD Hitch



Features

Caster in the hitch head constantly centers the trailer.
Spring bars augment the suspensions of the tow vehicle & trailer.

Textured Bronze epoxy advanced E-Coat + Powder Coat for superior durability.

Rotating latches with clamp-on brackets for quick and easy setup.

Noise-free sway prevention never stops working, even in rain or snow.

Standard Tongue Weights Available: 350, 550, 750, 1000, 1500, 2000 (2.5" Shank).

7-Hole Shank Kits

BX#	Features
BXW0350	0-350 lbs. Tongue Weight, 2" Ball, Clamp-on Latches
BXW0550	351-550 lbs. Tongue Weight, 2-5/16" Ball, Clamp-on Latches
BXW0750	551-750 lbs. Tongue Weight, 2-5/16" Ball, Clamp-on Latches
BXW1000	751-1000 lbs. Tongue Weight, 2-5/16" Ball, Clamp-on Latches
BXW1500	1001-1500 lbs., Tongue Weight, 2-5/16" Ball, Clamp-on Latches

9-Hole Shank Kits & 11-Hole Shank Kits & Underslung Kits Available



TrackPro WD Hitch



Features

Caster in the hitch head constantly centers the trailer.

Spring bars augment the suspensions of the tow vehicle & trailer.

Rigid L-Brackets provide additional points of sway controlling friction.

Standard Tongue Weights Available: 600, 800, 1000, 1300 (2-5/16" Ball).

Advanced E-Coat + Powder Coat for superior durability.

7-Hole Shank Kits

BX#	Features
BXW0650	400-600 lbs. Tongue Weight, 2" Ball, Standard L-Brackets
BXW0850	601-800 lbs. Tongue Weight, 2-5/16" Ball, Standard L-Brackets
BXW1050	801-1000 lbs. Tongue Weight, 2-5/16" Ball, Standard L-Brackets
BXW1350	1001-1300 lbs. Tongue Weight, 2-5/16" Ball, Standard L-Brackets

9-Hole Shank Kits & 11-Hole Shank Kits & Underslung Kits Available



2-Point WD Hitch



Features

- Round spring bars flex for a controlled ride.
- Steel-on-steel friction minimizes sway.
- L-Brackets keep spring bars in place.
- Standard Tongue Weights Available: 600, 800 & 1200 (2-5/16" Ball).

6-Hole Shank Kits

BX#	Features
BXW0675	400-600 lbs. Tongue Weight, 2" Ball, 2 Hole Mounting Plate
BXW0875	600-800 lbs. Tongue Weight, 2 5/16" Ball, 2 Hole Mounting Plate
BXW1275	800-1200 lbs Tongue Weight, 2 5/16" Ball, 2 Hole Mounting Plate

2-Point Universal Fit Kits

BX#	Features
BXW0673	400-600 lbs. Tongue Weight, 2" Ball, 4 Hole Mounting Plate
BXW0873	600-800 lbs. Tongue Weight, 2 5/16"Ball, 4 Hole Mounting Plate
BXW1273	800-1200 lbs. Tongue Weight, 2 5/16" Ball, 4 Hole Mounting Plate

Weight Distributing Accessories

SwayPro Hitch Shanks



BX#	Description
BXW4000	7 Hole, Max TRW 20,000 lbs
BXW4002	9 Hole, Max TRW 15,000 lbs
BXW4022	11 Hole, Max TRW 15,000 lbs.
BXW4028	9 Hole, 2-1/2" Rec. Max TRW 20,000 lbs.

SwayPro Latches



BX#	Description
BXW4010	Rotating, Clamp-On Latches
BXW4021	Rotating, Bolt-on Latches
BXW4027	Rotating Latches 8" Frame

TrackPro Hitch Shanks



BX#	Description
BXW4036	7 Hole, Max TRW 20,000 lbs
BXW4037	9 Hole, Max TRW 15,000 lbs.
BXW4038	11 Hole, Max TRW 15,000 lbs
BXW4039	Hole, 2-1/2" Rec., Max TRW 20,000 lbs.

2-Point Hitch Shanks



BX#	Description
BXW4066	6 Hole, Max TRW 12,000 lbs

SwayPro Spring Bars



BX#	Description
BXW4015	0-350 lb Spring Bars
BXW4005	351-550 lb Spring Bars
BXW4006	551-750 lb Spring Bars
BXW4007	751-1000 lb Spring Bars
BXW4008	1001-1500 lb Spring Bars
BXW4014	1501-2000 lb Spring Bars

SwayPro Hitch Head



BX#	Description
BXW4075	SwayPro Standard Hitch Head
BXW4076	SwayPro Underslung Hitch Head

TrackPro Spring Bars & Tool



BX#	Description
BXW4050	600-800 lb Spring Bars
BXW4040	801-1000 lb Spring Bars
BXW4041	1000 lb Spring Bars
BXW4042	1300 lb Spring Bars

2-Point Spring Bars & Tool



BX#	Description
BXW4057	600 lb
BXW4058	800 lb
BXW4059	1200 lb
BXW4043	TrackPro/2-Point Spring Bar Tool
BXW4079	3-Pack Spring Bar Tool

SwayPro Wrench



BX#	Description
BXW4029	SwayPro Wrench

Hitch Head Pin Kit



BX#	Description
BXW4047	SwayPro/TrackPro Pin Kit

TrackPro Hitch Heads



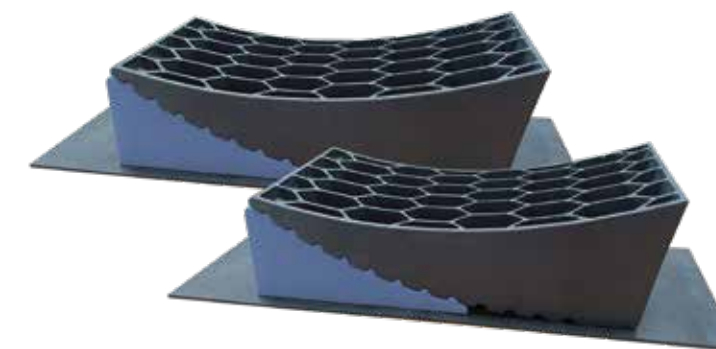
BX#	Description
BXW4048	TrackPro Hitch Head Standard
BXW4077	TrackPro Hitch Head Underslung



2-Point Bracket/Hitch Head

BX#	Description
BXW4078	1/2" Retaining Key
BXW4072	L Brackets
BXW4073	L Brackets w/Mounts, Single
BXW4074	L Brackets w/Mounts, Pair
BXW4062	2-Point Spring Lock Assembly
BXW4065	2-Point Hardware Replacement

Trailer Levelers



BX#	Description
BX88439	Blue Ox Camper Leveler, Pair
BX88445	Camper Leveler Chock, Single

Features

Easily levels your trailer

Trailers up to 35K & Tire sizes up to 32"

Adjust to any height between 1/2" and 4" Rubber pads for extra grip on smooth surfaces.

Limited Lifetime Warranty



Accessories

BX#	Features
BX88446	Camper Leveler Rubber Sheet
BX88447	Camper Leveler Rubber Sheet

5th Wheel



5th Wheel Towing

Fifth wheel towing offers several distinct advantages, especially for those who prioritize stability, towing capacity, and comfort during travel. One of the primary benefits is enhanced stability. Because fifth wheel hitches mount directly over the rear axle of a truck bed, they distribute weight more evenly and reduce sway. This positioning gives the tow vehicle better control, especially during turns and in windy conditions.

Fifth wheel setups can typically handle heavier loads, ideal for towing large RVs, toy haulers, or horse trailers. Trucks equipped with a fifth wheel hitch can often tow more than those using a conventional ball hitch, making them a popular choice for full-time RVers or those hauling heavy cargo.

Fifth wheel trailers often feature multi-level floor plans, with raised forward sections that create separate sleeping quarters or living areas. This layout can feel more like a home on wheels, offering greater comfort and privacy for extended trips. With the added stability, users also enjoy a smoother ride that protects the trailer's interior from excessive jostling.



Testing Standards: All of our hitches are tested to the industry standard SAE J2638.

Connection: Our 5th Wheel hitches have a funnel-shaped head that guides the kingpin into place, significantly reducing the risk of false hookups & trailer drops.

True 360° nesting of the kingpin. No need for extra kingpin adapters.

Dual Articulating: Front to back, side to side.

Adjustable Height: we have added height adjustments 17", 18", and 19" (3" height adjustments) to account for the various gooseneck hitch configurations, pinbox heights, and bed configurations. The head height adjusts with 4 bolts.

Application: Connects to 2-5/16" gooseneck ball or bed rails.

Lightweight: Unlike conventional 5th wheel hitches, we designed ours in two sturdy pieces so you can reclaim your truck bed when you need to remove the hitch quickly and easily.

Finish: Advanced E-Coat + Powder Coat for superior durability.

5th Wheel



BXR2100

21K Gross Towing Capacity,
5K Vertical Load Limit



BXR2410

24K Gross Towing Capacity,
6K Vertical Load Limit

Features

Connects to 2-5/16" gooseneck ball or bed rails.

Funnel shaped hitch head helps guide the kingpin into place, significantly reducing the risk of false hookups & trailer drops.

Dual articulating head: front/back, side-to-side

True 360° nesting of the kingpin.

Lightweight, 2-piece design: 122 lbs total .

Adjustable height: 17", 18", and 19".

Tested to SAE J2638.

5th Wheel Accessories

BX#	Features
BXR9004	Lube Plate
BX88360	King Pin Lock
BXR9009	OEM Ball Adapter
BX88356	Wiring Harness
BXR9006	Anti-Slip Mat
BXR9003	Wall Mount

Receiver Hitches



Family Owned. 
American Made. 



BXH3003: 2016-2024 RAM
2500/3500 Shortbox

Features

Crafted with meticulous attention to detail, our hitches blend manual craftsmanship and robotic precision.

Experience the pinnacle of protection with our industry-leading “Premium textured black Powder Coat over e-Coat” from our TTX paint facility, designed to shield against rust and corrosion.

Adherence to rigorous SAE J684 standards is a hallmark of our commitment to quality.

We stand behind our robust limited lifetime warranty, supporting you for countless miles to come.

Our hitches often include a wiring plug mounting bracket for quick installation.

Visit blueox.com to Find the Baseplate that Fits Your Vehicle

Receiver Hitch Fits

Buick		
'20-'25	Encore GX (No Hands Free Liftgate)	BXH2002
'08-'17	Enclave	BXH2003
'24-'25	Envista	BXH2004
Chevrolet		
'96-'14	Express 1500 Van	BXH2000
'96-'25	Express 2500 Van	BXH2000
'96-'25	Express 3500 Van (No Cutaway Models)	BXH2000
'18-'25	Equinox (No Diesel)	BXH2001
'21-'25	Trailblazer	BXH2002
'09-'17	Traverse	BXH2003
'24-'25	Trax	BXH2004
Dodge		
'11-'25	Durango (No SRT)	BXH3000
Ford		
'15-'23	F-150	BXH1000
'17-'23	F-150 Raptor	BXH1000
'17-'24	F-250 (All)	BXH1001
'17-'24	F-350 (No Cab & Chassis)	BXH1001
'17-'24	F-450 (No Cab & Chassis)	BXH1001
'21-'25	Bronco	BXH1002
'15-'24	Edge	BXH1003
'15-'24	Transit 150/250/350	BXH1004
'22-'24	Transit E	BXH1004
'20-'24	Explorer (No Kick Sensor)	BXH1005
GMC		
'07-'16	Acadia	BXH2003
'17	Acadia Limited	BXH2003
'96-'14	Savana 1500 Van	BXH2000
'96-'25	Savana 2500 Van	BXH2000
'96-'25	Savana 3500 Van (No Cutaway Models)	BXH2000
'18-'24	Terrain (No Diesel)	BXH2001
Honda		
'17-'25	CR-V	BXH4000
'18-'25	Odyssey	BXH4001

Hyundai		
'20-'25	Palisade	BXH8002
Jeep		
'17.5-'25	Compass	BXH3007
'12-'21	Grand Cherokee (No SRT, SRT8, or Trackhawk)	BXH3000
'22	Grand Cherokee WK	BXH3000
'22-'24	Grand Chrokee (No Trailhawk)	BXH3006
'21-'25	Grand Chrokee L	BXH3006
'07-'25	Wrangler	BXH3001
Kia		
'21-'25	Sorento	BXH8001
Lincoln		
'20-'24	Aviator (No Kick Plate)	BXH1005
Mazda		
'13-'25	CX-5 (No Diesel)	BXH8100
Nissan		
'21-'25	Rogue	BXH8200
'08-'20	Rogue (No Krom)	BXH8201
'14-'15	Rogue Select	BXH8201
Ram Trucks		
'03-'18	1500 (No Dayton, Hemi Sport, Rumble Bee, or SRT-10)	BXH3002
'19-'24	1500 Classic	BXH3002
'03-'09	2500	BXH3002
'03-'09	3500	BXH3002
'16-'24	2500 Short Box	BXH3003
'16-'24	3500 Short Box	BXH3003
Subaru		
'18-'24	Crosstrek (No Hybrid)	BXH7000
'19-'25	Forester	BXH7001
'10-'19	Legacy Sedan	BXH7002
'10-'19	Outback Wagon (No Sport)	BXH7002
'20-'25	Legacy	BXH7003
'20-'25	Outback	BXH7003
'18-'25	Crosstrek (No Hybrid) (Visable Crosstube)	BXH7004
Toyota		
'06-'18	RAV4 (No Electric)	BXH5001
'19-'24	RAV4 (Inlucdes RAV4 Prime)	BXH5000



BX#
BXH10141 **Description**
4" D/R, 2" S, 10K



BX#
BXH10171 **Description**
7" D/R, 2" S, 10K



BX#
BXH12271 **Description**
7" D/R, 2-1/2" S, 12K



BX#
BXH12241 **Description**
4" D/R, 2-1/2" S, 12K

Features

- Pre-installed 2" ball.
- Adjustable in height for level towing.
- Included clamshell converts 2" ball to 2-5/16".
- Will not drag on the ground like dual ball mounts.
- All-steel construction.

Ball Mount Accessories

- | BX# | Features |
|----------------|---------------------------------------|
| BXH9001 | Hitch Step for Adjustable Ball Mounts |
| BXH9000 | Pintle Hitch Kit |

Protective Equipment



Trim from 24" to 10-3/4"



Adjustable from 67-1/4" to 96-3/4"

Mud Flap System

BX#	Description
BX88439	Blue Ox Camper Leveler, Pair
BX88445	Camper Leveler Chock, Single

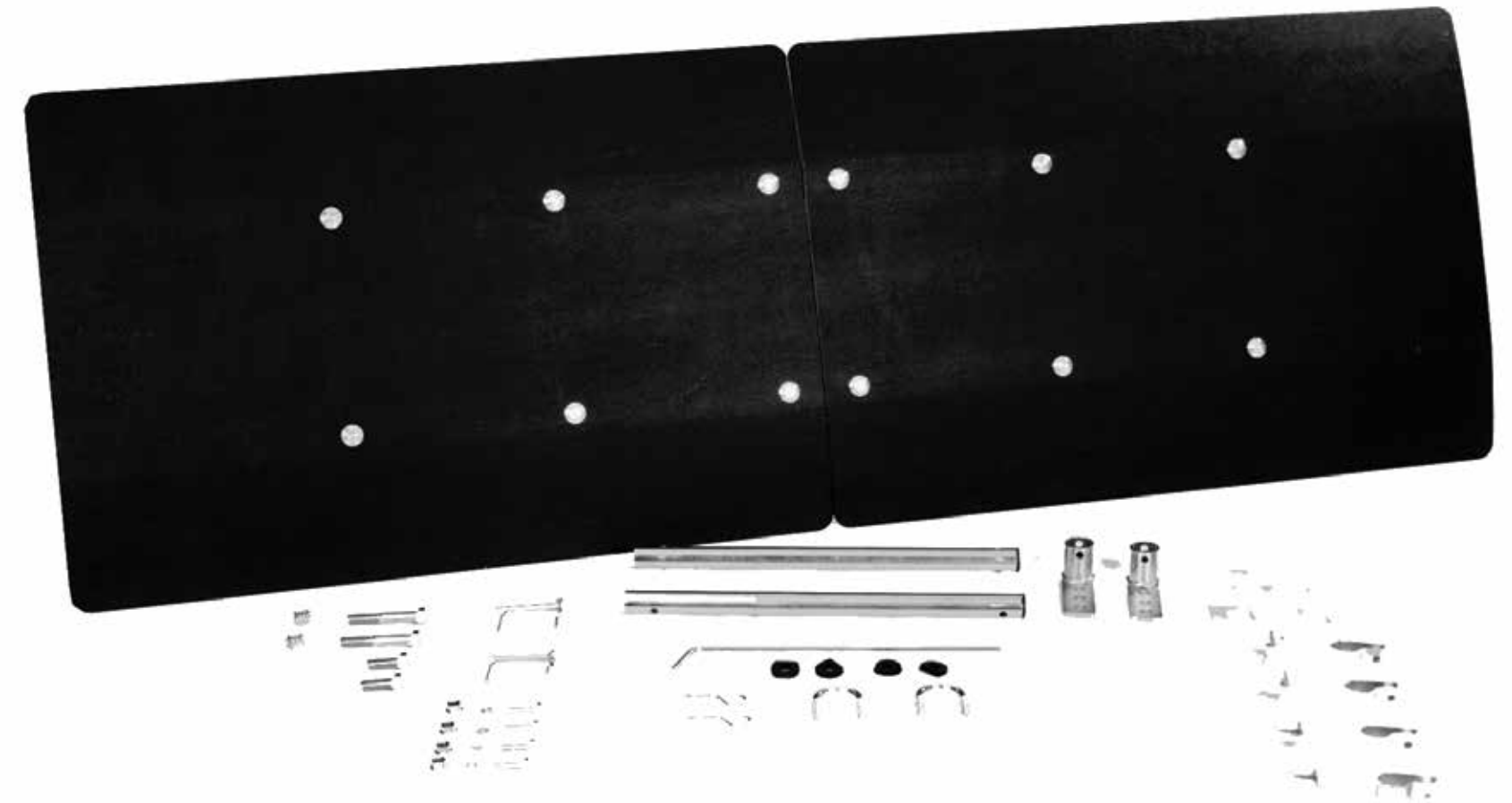
Features

- Forged Aluminum Hub & Arms.
- Stainless Sleeved Steel Rods.
- Stainless Steel & Zinc Nickel Hardware.
- 3/8" Thick, 24" X 24" Wide, Fiber Reinforced Mud Flaps
- Rock Screen Accessory Included

Accessories

BX#	Features
BX88429	Exhaust Outlet
BX88430	Rock Screen
BX 88431	Heat Shield
BX88436	Garage Hanger

Protective Equipment



KarGard

BX#	Description
BX88439	Blue Ox Camper Leveler, Pair
BX88445	Camper Leveler Chock, Single

Features

- Round spring bars flex for a controlled ride.
- Steel-on-steel friction minimizes sway.
- L-Brackets keep spring bars in place.
- Standard Tongue Weights Available: 600, 800 & 1200 (2-5/16" Ball).



Our Promise

At Blue Ox, we know that loyalty isn't just about building great products—it's about showing up for our customers in every way we can. That means offering more than top-notch towing gear. It means creating a full-service experience that people can count on—from expert support to hands-on learning and everything in between.

Our **Sales Team** is at the heart of it all. Spread across the country, they do more than represent our brand—they build real relationships. They're the ones out there connecting with customers, earning trust, and turning first-time buyers into lifelong partners.

Behind the scenes, our **Training Team** keeps everyone on the same page. Whether you're talking to someone in sales or customer support, you'll hear the same clear message about our products—thanks to consistent, hands-on training. And when something new drops, our team makes sure the whole field is up to speed fast, so they can help customers right away.

Customer Service is personal for us. Our Customer Care Team isn't just here to answer questions—they're here to make every interaction feel positive and easy. They're quick to respond, ready to help, and genuinely care about getting things right.

And then there's our **Rally Team**—the folks you'll see out on the road. From RV rallies to trade shows, they bring Blue Ox to life in person. It's our chance to meet you face to face, show off what's new, and make sure you leave with the support you need.

Every time we connect with someone, whether it's a customer, partner, or team member, we're listening. We take what we hear and use it to keep building better towing products. That mindset has been part of who we are for the last one hundred years, and will remain the same for the next hundred.

Chairman & CEO

Towing Doesn't Have to be a Drag™



blueox.com

800-228-9289 • Info@blueox.com

